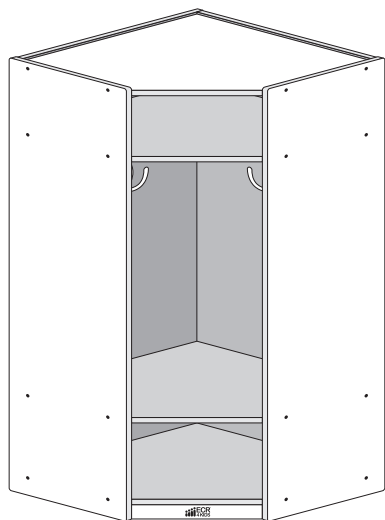




San Diego, CA 92110 USA
www.ecr4kids.com

Corner Locker
Model# ELR-17232-B



WARNING:

Adult Assembly Required.

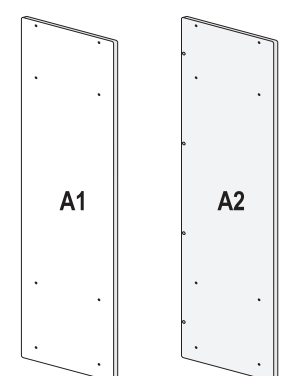
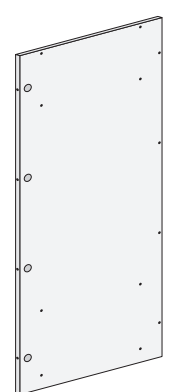
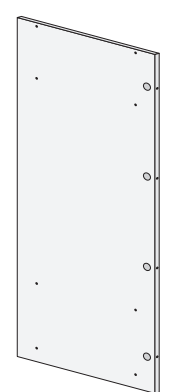
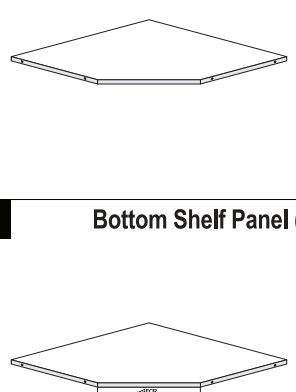

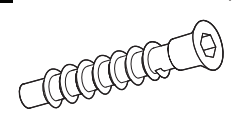
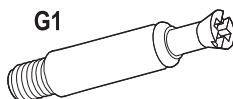
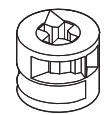
- Two adults recommended.
- Contains small parts, sharp points and edges.
- Do not stand, sit, kneel, climb, lean or pull on unit for support.
- Never leave children unattended.
- Do not place unit near high heat or moisture.
- Adult supervision recommended.

CAUTION:

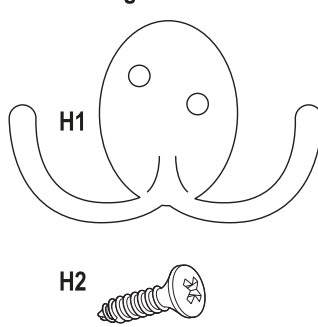
- Do not allow children to climb on locker unit.
- Do not use as a ladder or step.

Parts List

BEFORE ASSEMBLING, MAKE SURE YOU HAVE ALL THE PARTS

<p>A Side Panels (2)</p> 	<p>B Left Back Panel (1)</p> 	<p>C Right Back Panel (1)</p> 	<p>D Shelf Panels (3)</p>  <p>E Bottom Shelf Panel (1)</p>  <p><i>Batch ID Sticker located on underside</i></p>	<p>F Hex Screws (36)</p>  <p><i>Use the Hex Tool.</i></p> <p>G Cam Posts & Cam Locks (8 / 8)</p> <p>G1</p>  <p>G2</p>  <p><i>Use a Phillips Screwdriver.</i></p>
---	--	--	---	---

H Double Hanger Hook & Screws (2/4)



TOOLS INCLUDED

- Hex Tool (1)



TOOLS NEEDED

- Phillips Screwdriver

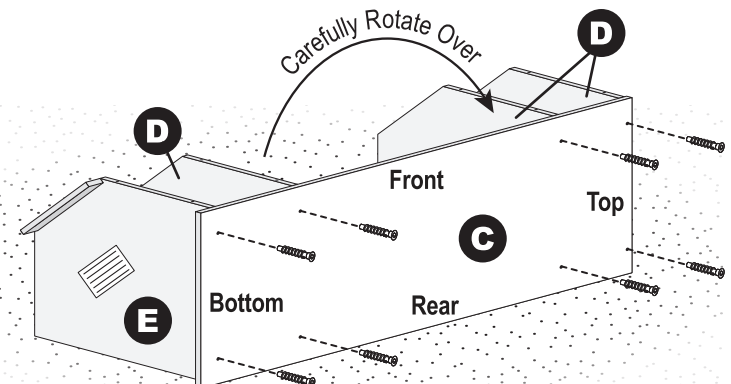


1 Install the Shelves to the Right Back Panel

Install the four Shelf Panels (D, E) to the Right Back Panel (C) with eight Hex Screws (F) using the Hex Tool.

Note: The Right Side Panel should be orientated so the side with the large recessed holes for the Cam Locks is toward the front of the assembled unit.

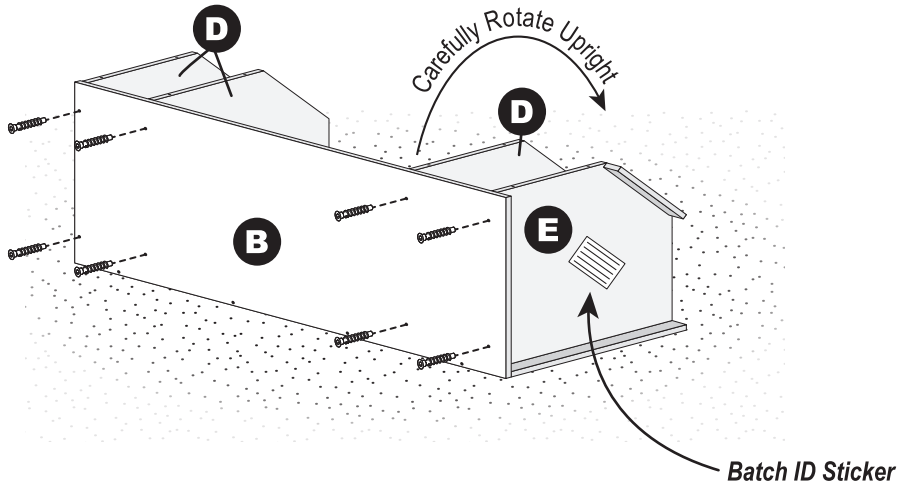
Two Adults Recommended: Carefully rotate the unit over onto the Right Back Panel.



2 Install the Left Back Panel to the Shelves

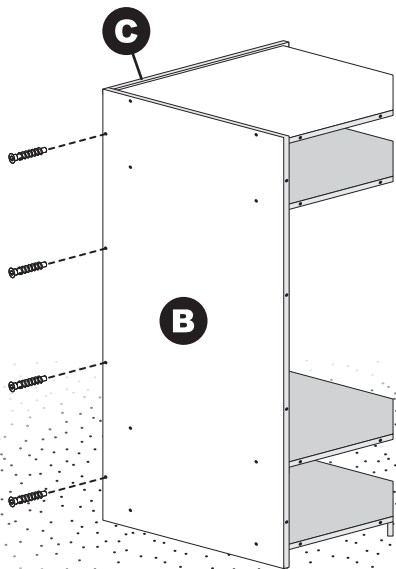
Install the **Left Back Panel (B)** onto the four **Shelf Panels (D, E)** with eight **Hex Screws (F)** using the Hex Tool.

Two Adults Recommended: Carefully rotate the unit upright.



3 Connect the Left Back Panel to Right Back Panel

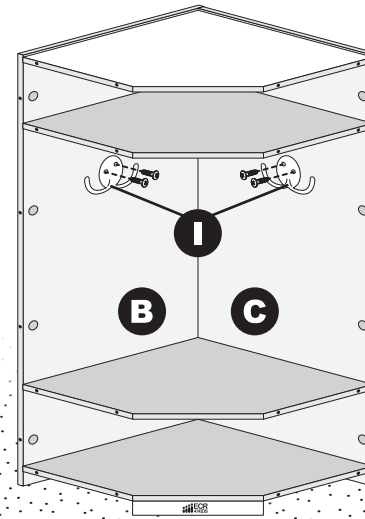
Connect the **Left Back Panel (B)** onto the **Right Back Panel (C)** with four **Hex Screws (F)** using the Hex Tool.



4 Install the Hanger Hooks & Cam Locks

Install each **Double Hanger Hook (H1)** with two **Phillips Screws (H2)** into the pre-drilled holes on both **Back Panels (B, C)** with a Phillips screwdriver.

Place eight **Cam Locks (G2)** into the recessed holes on the inside of both **Back Panels (B, C)**, with the arrow pointing to the closest edge.



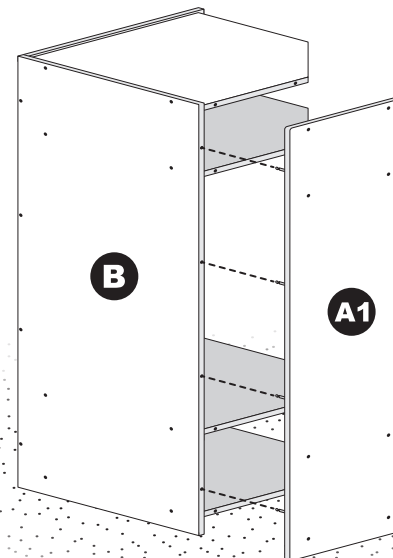
5 Insert the Side Panel Cam Posts

Install four **Cam Posts (G1)** into the threaded plastic inserts on the inside of the **Side Panel (A1)** with a Phillips screwdriver.

Reminder: Do not overtighten, as the plastic threads can be stripped.

Insert the Side Panel Cam Posts into the holes on the edge of the **Left Back Panel (B)**. Turn the Cam Locks clockwise with a Phillips screwdriver to lock the divider onto the posts.

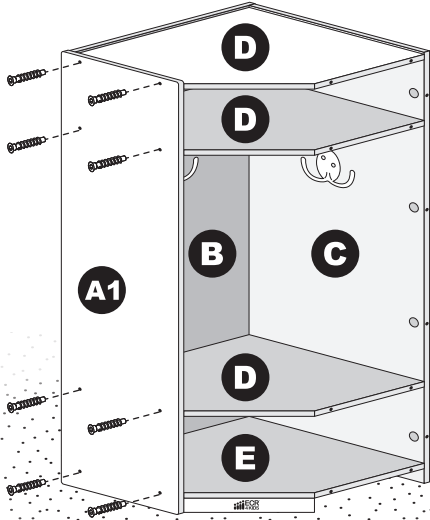
This step will be repeated for the Right Side Panel.



See Next Page

6 Connect the Side Panel

Install eight **Hex Screws (F)** thru the **Side Panel (A1)** into the **Shelf Panels (D, E)** using the Hex Tool.



7 Install the opposing Side Panel

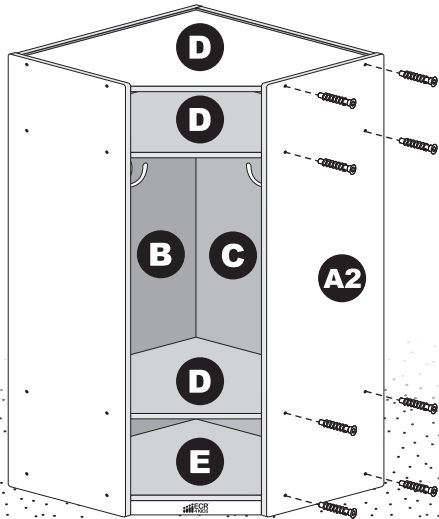
See **Step 7** for visual reference.

Install four **Cam Posts (G1)** into the threaded plastic inserts on the inside of the **Side Panel (A2)** with a Phillips screwdriver.

Reminder: Do not overtighten, as the plastic threads can be stripped.

Insert the Side Panel Cam Posts into the holes on the edge of the **Right Back Panel (C)**. Turn the Cam Locks clockwise with a Phillips screwdriver to lock the divider onto the posts.

Install eight **Hex Screws (F)** thru the **Side Panel (A2)** into the **Shelf Panels (D, E)** using the Hex Tool.



We appreciate your purchase of the Corner Locker. ECR4KIDS has made every effort to supply a quality product that with proper use and care, will provide many years of trouble-free use.

If you experience any difficulties with this product, please email us at ecrcs@ecr4kids.com or call toll-free at (855) ECR-4KIDS (Monday - Friday, 7:00am - 4:00pm Pacific Standard Time)

Please do not return to place of purchase as ECR4KIDS will replace defective part(s) and/or product.

Warranty: Visit our website for product specific warranty information at: www.ecr4kids.com

Care and Cleaning

Clean wood with a damp cloth or sponge using warm water and mild soap. Wipe dry.

Do not place near heat, moisture or vaporizer which may cause wood to warp and peel.

Check for loose or worn parts periodically and tighten or replace as necessary.

Record the manufacture date here. Information is located on the Batch ID sticker and on the shipping carton. Save this sheet in an accessible place.

Model Number: ELR-17232-B

Factory Code: EP

Manufacture Date: _____

Batch ID Number: _____
(Located on Part E)