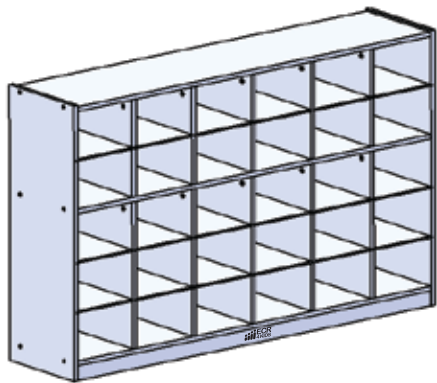




San Diego, CA 92110 USA
www.ecr4kids.com

**30 Section
Storage Cabinet**
Model# ELR-17257

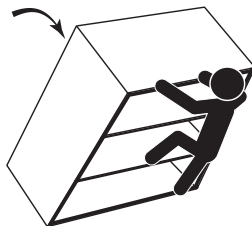


! WARNING:

Adult Assembly Required.

Two adults recommended.

- Contains small parts, sharp points and edges.
- Do not stand, sit, kneel, climb, lean or pull on unit for support.
- Never leave children unattended.
- Do not place unit near high heat or moisture.
- Adult supervision recommended.



Children climbing on furniture can lead to death or serious injury due to tipping. Secure unit to wall using appropriate hardware.

TOOLS INCLUDED

- ◆ Hex Tool (1)



TOOLS NEEDED

- ✚ Phillips Screwdriver



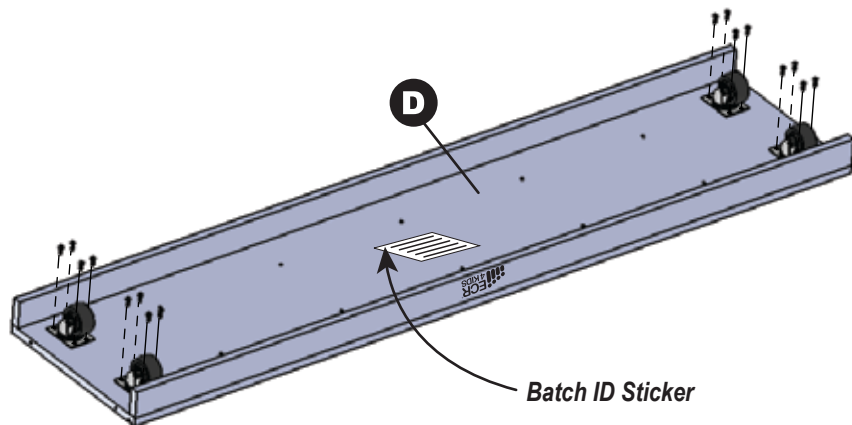
Parts List

BEFORE ASSEMBLING, MAKE SURE YOU HAVE ALL THE PARTS

<p>A</p> <p>Left & Right Side Panels (1/1)</p>	<p>F</p> <p>Lower Dividers (5)</p>	<p>G</p> <p>Lower Back Panels (6)</p>
<p>B</p> <p>Top Panel (1)</p>	<p>H</p> <p>Upper Back Panel (1)</p>	
<p>C</p> <p>Middle Shelf (1)</p>	<p>I</p> <p>Thin Shelves (18)</p>	<p>J</p> <p>Hex Screws (32)</p> <p><i>Use the Hex Tool.</i></p>
<p>D</p> <p>Bottom Shelf (1)</p> <p><i>Batch ID located underneath.</i></p>	<p>K</p> <p>Cam Posts & Cam Locks (20/20)</p> <p><i>Use a Phillips Screwdriver.</i></p>	
<p>E</p> <p>Upper Dividers (5)</p>	<p>L</p> <p>Phillips Screws & Casters (16/4)</p> <p><i>Use a Phillips Screwdriver.</i></p>	

1 Install the Casters onto Bottom Shelf

Install the four **Castors (L2)** into the pre-drilled holes on the underside of the **Bottom Shelf (D)**, with four **Phillips Screws (L1)** per caster, using a Phillips screwdriver.



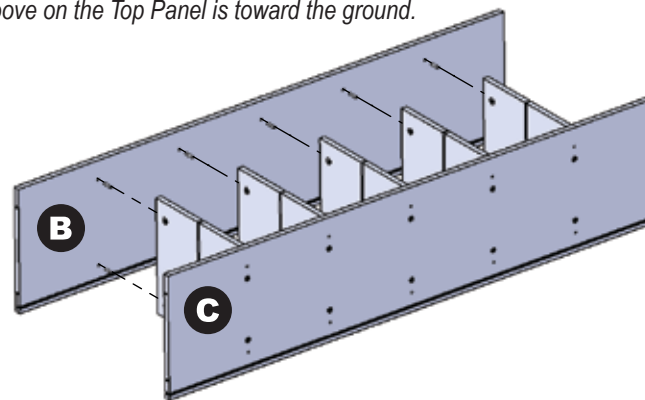
3 Connect Top Panel to Upper Dividers

Install ten **Cam Posts (K1)** into the threaded plastic inserts on the underside of **Top Panel (B)** with a Phillips screwdriver.

Reminder: Do not overtighten, as the plastic threads can be stripped.

Insert the **Top Panel (B)** Cam Posts into the holes on the top edge of the **Upper Dividers (E)**. Turn the Cam Locks clockwise with a Phillips screwdriver to lock the **Upper Dividers (E)** onto the posts.

Note: The groove on the Top Panel is toward the ground.

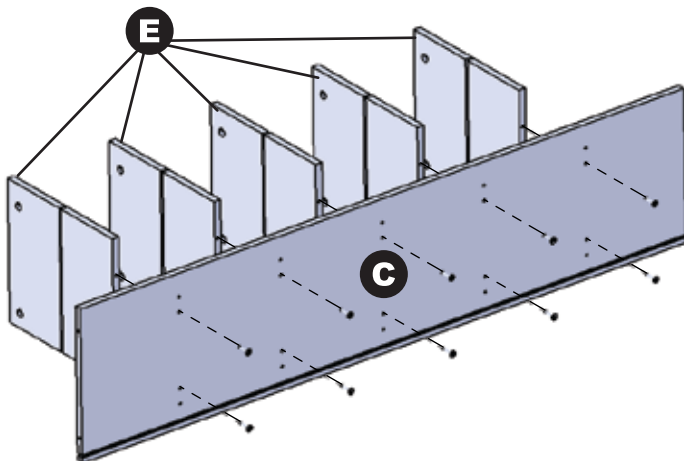


2 Install Upper Dividers to Middle Shelf

Install the **Upper Dividers (E)** on to the **Middle Shelf (C)** with ten **Hex Screws (J)** using the Hex Tool.

Note: The grooves on the Middle Shelf are toward the ground.

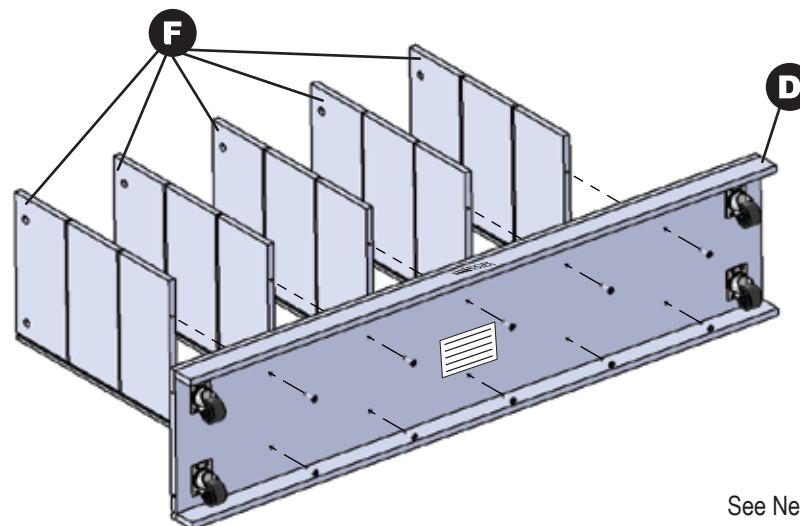
Place two **Cam Locks (K2)** into the recessed holes on each **Upper Divider (E)**, with the arrow facing the closest edge.



4 Install Lower Dividers to Bottom Shelf

Install the **Lower Dividers (F)** on to the **Bottom Shelf (D)** with ten **Hex Screws (J)** using the Hex Tool.

Note: The grooves on the Bottom Shelf & Lower Dividers are toward the ground.



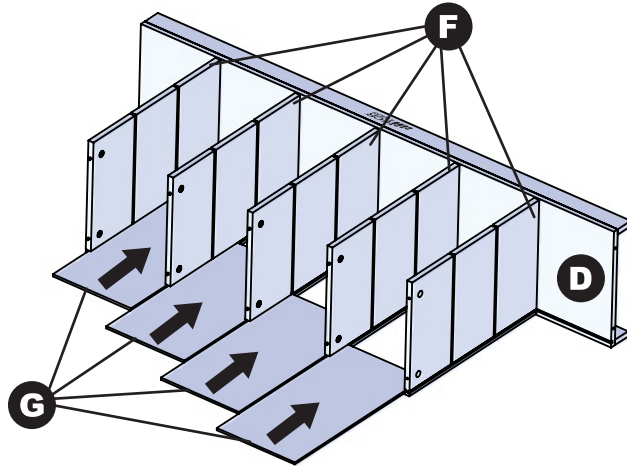
See Next Page

5 Insert the Lower Back Panels

Slide four **Lower Back Panels (G)** into the rear grooves on the **Lower Dividers (F)** as shown, until fully seated into the groove on the topside of the **Bottom Shelf (D)**.

Tip: If the Back Panels do not slide in easily, wiggle the panels while pushing into place.

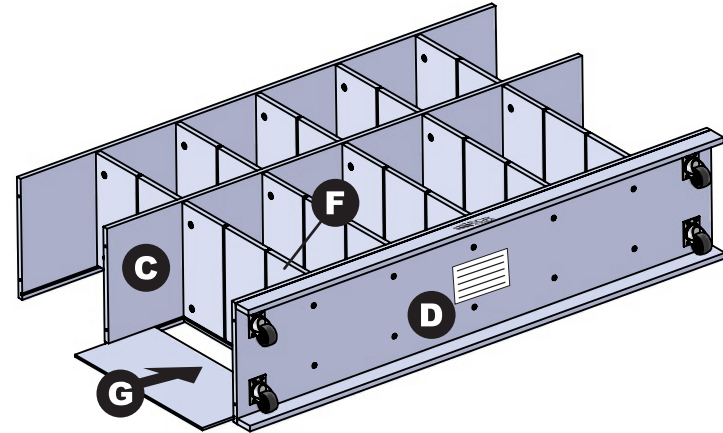
Place two **Cam Locks (K2)** into the recessed holes on each **Lower Dividers (F)**, with the arrow facing the closest edge.



7 Insert Left Side Lower Back Panel

Slide one **Lower Back Panel (G)** into the grooves on the underside of **Middle Shelf (C)** and topside of the **Bottom Shelf (D)** as shown, until fully seated into the groove on the inside of the **Lower Divider (F)**.

Tip: If the Back Panel does not slide in easily, wiggle the panel while pushing into place.

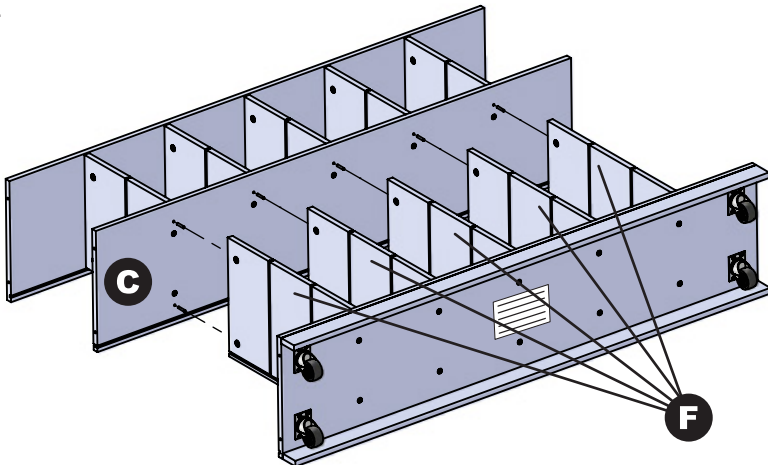


6 Connect Middle Shelf to Lower Dividers

Install ten **Cam Posts (K1)** into the threaded plastic inserts on the underside of **Middle Shelf (C)** with a Phillips screwdriver.

Reminder: Do not overtighten, as the plastic threads can be stripped.

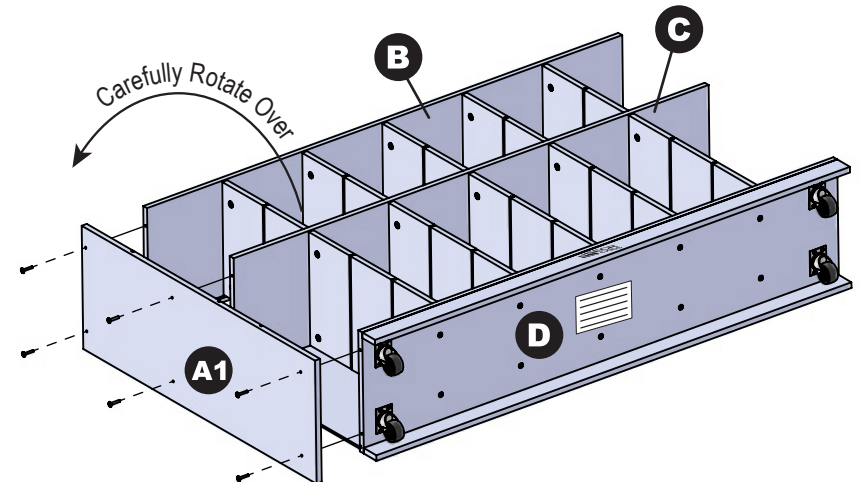
Insert the **Middle Shelf (C)** Cam Posts into the holes on the top edge of the **Lower Dividers (F)**. Turn the Cam Locks clockwise with a Phillips screwdriver to lock the **Lower Dividers (F)** onto the posts.



8 Install the Left Side Panel

Install the **Left Side Panel (A1)** on to the **Top Panel (B)**, **Middle Shelf (C)** and **Bottom Shelf (D)** with six **Hex Screws (J)** using the Hex Tool.

Two Adults Recommended: Carefully rotate unit over so the front is facing the ground.



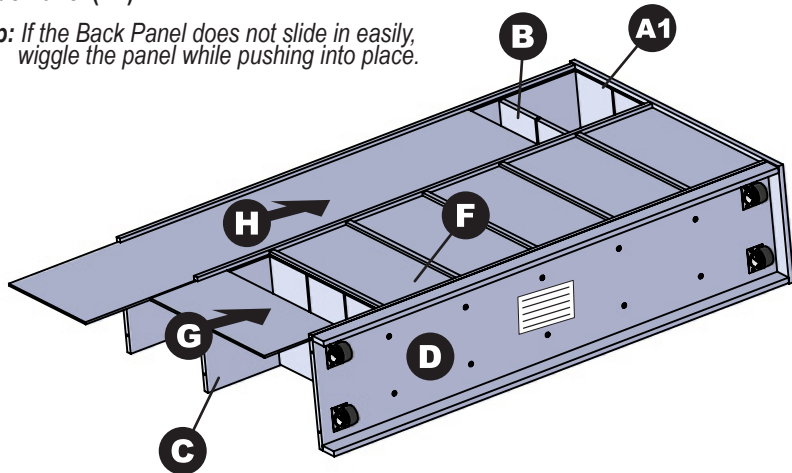
See Next Page

9 Insert Remaining Back Panels

Slide the remaining **Lower Back Panel (G)** into the grooves on the underside of **Middle Shelf (C)** and topside of the **Bottom Shelf (D)** as shown, until fully seated into the groove on the inside of the **Lower Divider (F)**.

Slide the **Upper Back Panel (H)** into the grooves on the underside of the **Top Panel (B)** and topside of **Middle Shelf (C)** as shown, until fully seated into the groove on the inside of the **Left Side Panel (A1)**.

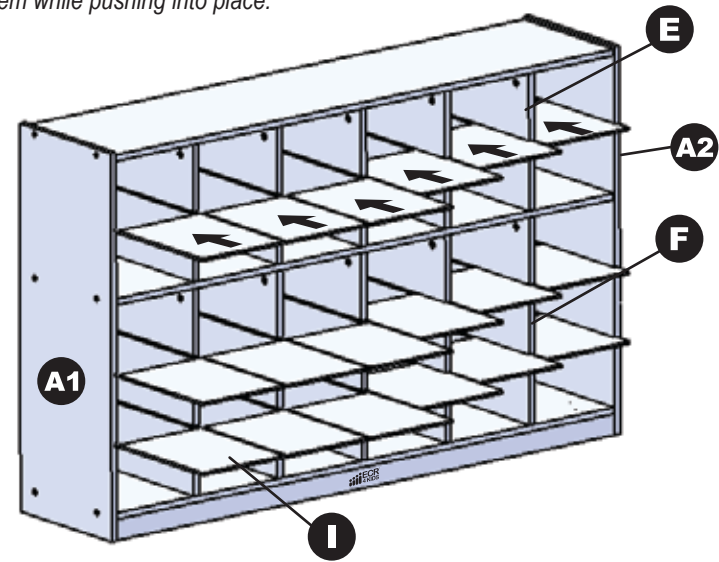
Tip: If the Back Panel does not slide in easily, wiggle the panel while pushing into place.



11 Insert the Thin Shelves

Slide the **Thin Shelves (I)** into the grooves on the sides of **Upper & Lower Dividers (E, F)** and insides of the **Side Panels (A1, A2)** as shown, until fully seated against the Back Panels.

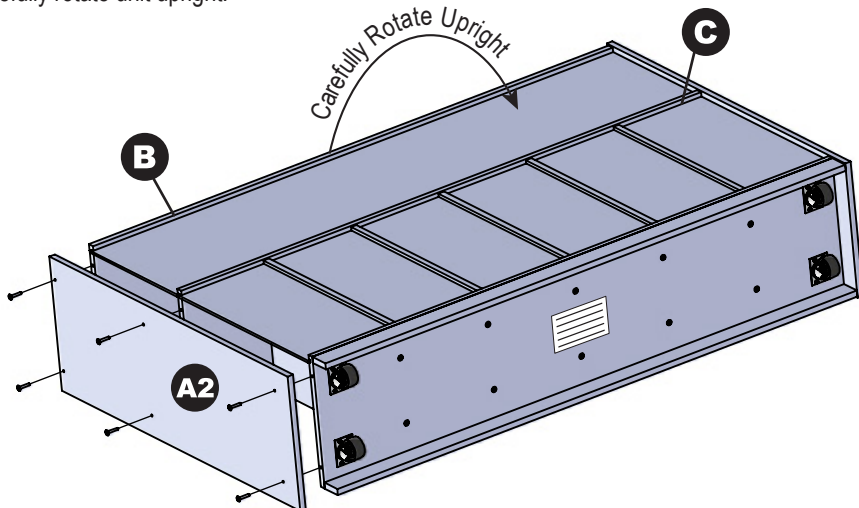
Tip: If the Shelves do not slide in easily, wiggle them while pushing into place.



10 Install the Right Side Panel

Install the **Right Side Panel (A2)** on to the **Top Panel (B)**, **Middle Shelf (C)** and **Bottom Shelf (D)** with six **Hex Screws (J)** using the Hex Tool.

Two Adults Recommended:
Carefully rotate unit upright.





We appreciate your purchase of the 30 Section Storage Cabinet. ECR4KIDS has made every effort to supply a quality product that with proper use and care, will provide many years of trouble-free use.

If you experience any difficulties with this product, please email us at ecrcs@ecr4kids.com or call toll-free at (855) ECR-4KIDS (Monday - Friday, 7:00am - 4:00pm Pacific Standard Time)

Please do not return to place of purchase as ECR4KIDS will replace defective part(s) and/or product.

Warranty: Visit our website for product specific warranty information at: www.ecr4kids.com

To prevent a tip-over tragedy:

Buy and install low-cost anchoring devices that can prevent TVs, dressers, bookcases and other furniture from tipping. For more information please visit www.ecr4kids.com/resources

Care and Cleaning

Clean wood with a damp cloth or sponge using warm water and mild soap. Wipe dry.

Do not place near heat, moisture or vaporizer which may cause wood to warp and peel.

Check for loose or worn parts periodically and tighten or replace as necessary.

Record the manufacture date here. Information is located on the Batch ID sticker and on the shipping carton. Save this sheet in an accessible place.

Model Number: ELR-17257

Factory Code: EP

Manufacture Date: _____

Batch ID Number: _____

(Located on Part D)