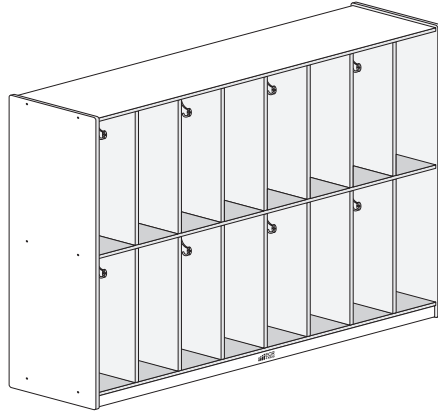




San Diego, CA 92110 USA  
www.ecr4kids.com

**16 Section  
Streamline Coat Locker  
Model# ELR-17305**



**WARNING:**

**Adult Assembly Required.**

Two adults recommended.

- Contains small parts, sharp points and edges.
- Do not stand, sit, kneel, climb, lean or pull on unit for support.
- Never leave children unattended.
- Do not place unit near high heat or moisture.
- Adult supervision recommended.

**TOOLS INCLUDED**

- Hex Tool (1)



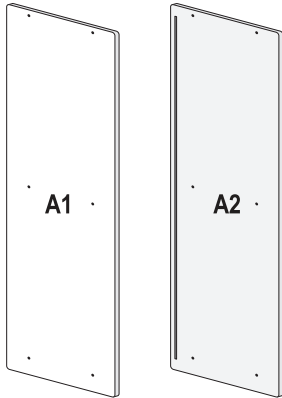
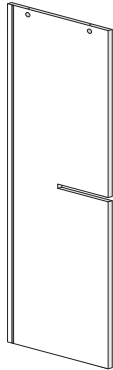
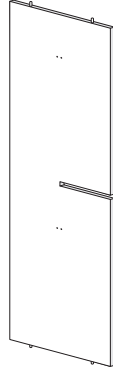
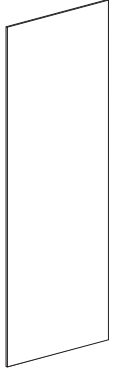
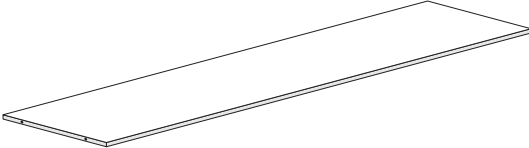
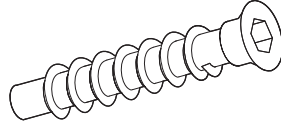
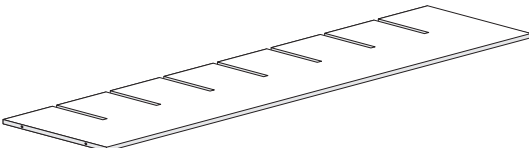
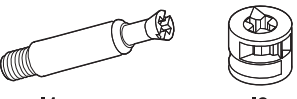
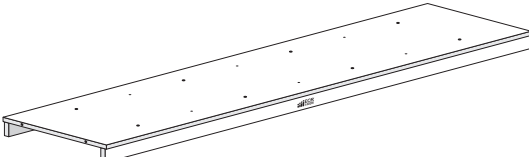
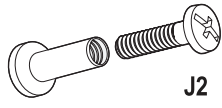
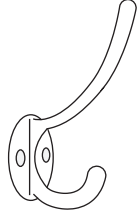
**TOOLS NEEDED**

- Phillips Screwdriver



**Parts List**

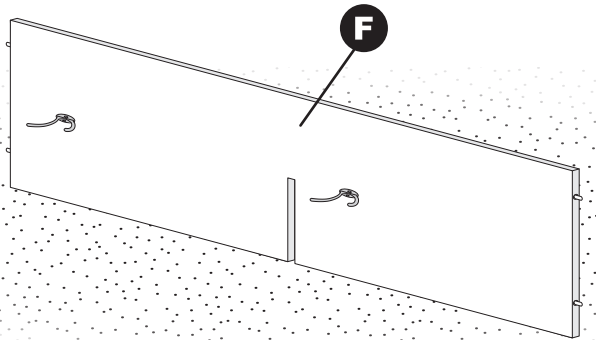
BEFORE ASSEMBLING, MAKE SURE YOU HAVE ALL THE PARTS

<p><b>A</b> Left &amp; Right Side Panels (1/1)</p> 	<p><b>E</b> Grooved Dividers (3)</p> 	<p><b>F</b> Hanger Hook Dividers (4)</p> 	<p><b>G</b> BackPanels (4)</p> 
<p><b>B</b> Top Panel (1)</p> 	<p><b>H</b> Hex Screws (18)</p>  <p><i>Use the Hex Tool</i></p>		
<p><b>C</b> Middle Shelf (1)</p> 	<p><b>I</b> Cam Posts &amp; Cam Locks (6/6)</p>  <p>I1 I2</p> <p><i>Use a Phillips Screwdriver</i></p>		
<p><b>D</b> Bottom Shelf (1)</p>  <p><i>Batch ID Sticker located on underside</i></p>	<p><b>J</b> Hanger Hook Posts &amp; Screws (16/16)</p>  <p>J1 J2</p> <p><i>Use a Phillips Screwdriver</i></p> <p><b>K</b> Hanger Hooks (16)</p> 		

## 1 Pre-Install the Hanger Hooks (Optional)

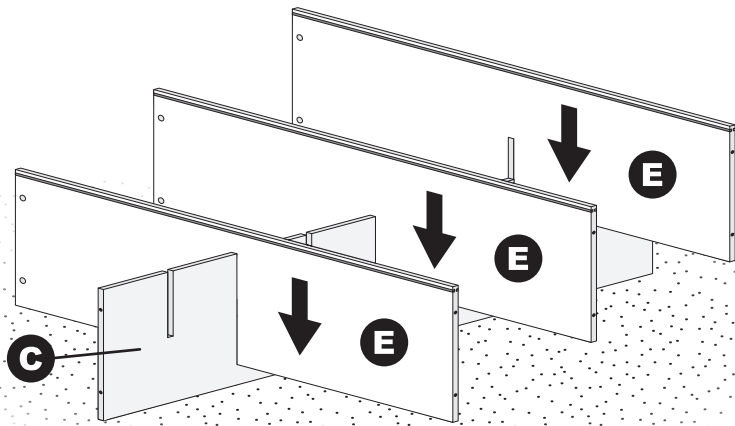
Install four **Hanger Hooks (K)** to each **Hanger Hook Divider (F)** by threading the **Hanger Hook Posts and Screws (J1/J2)** together from both sides of the divider.

**Note:** The lower **Hanger Hooks (K)** should be pointing toward the slit on each of the **Hanger Hook Dividers (F)**, with the upper **Hanger Hooks (K)** match the same direction.



## 2 Insert the Grooved Dividers

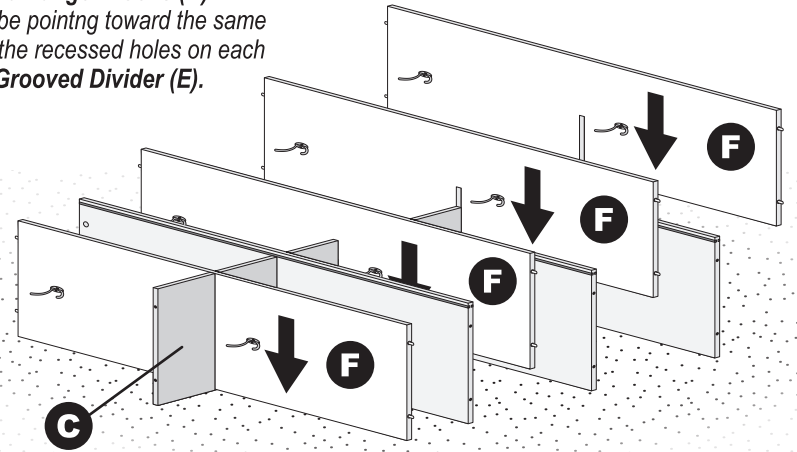
Align the slit on **Grooved Dividers (E)** with the slits on **Middle Shelf (C)** as shown, and slide together until seated.



## 3 Insert the Hanger Hook Dividers

Align the slit on **Hanger Hook Dividers (F)** with the slits on **Middle Shelf (C)** as shown, and slide together until seated.

**Note:** the **Hanger Hooks (K)** should be pointing toward the same end as the recessed holes on each of the **Grooved Divider (E)**.



## 4 Connect the Top Panel

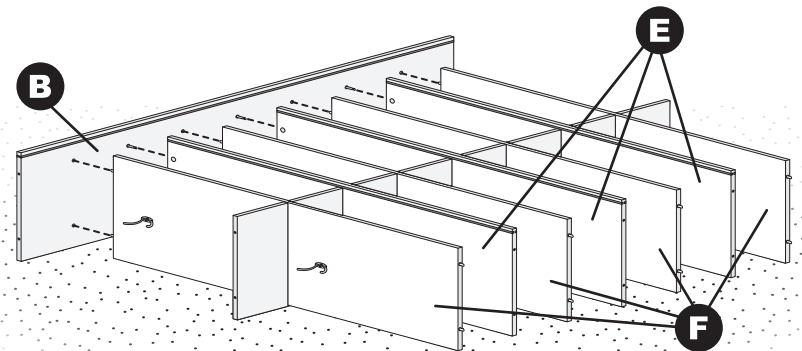
Place two **Cam Locks (I2)** into the recessed holes on each **Grooved Divider (E)**, with the arrow facing the closest edge.

Install eight **Cam Posts (I1)** into the threaded plastic inserts on the underside of **Top Panel (B)** with a Phillips screwdriver. **Reminder:** Do not overtighten, as the plastic threads can be stripped.

Insert the **Top Panel (B)** Cam Posts into the holes on the top edge of the **Grooved Dividers (E)**.

Insert the pre-installed wooden dowels on **Hanger Hook Dividers (F)** into the corresponding holes on the underside of **Top Panel (B)**

Turn the Cam Locks clockwise with a Phillips screwdriver to lock the **Grooved Dividers (E)** onto the posts.

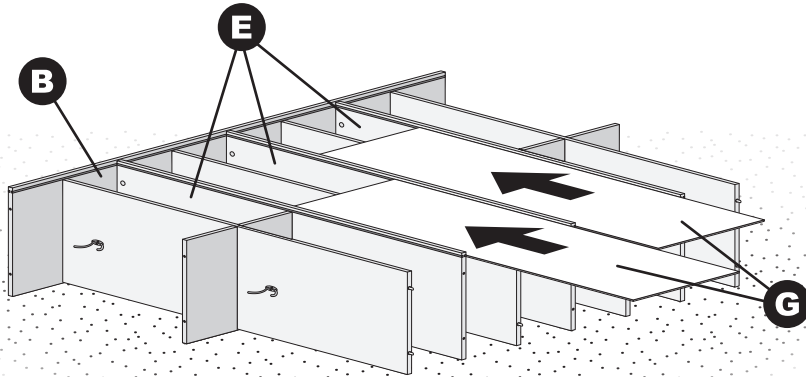


See Next Page

## 5 Slide the Center Back Panels into Place

Slide two **Back Panels (G)** into the grooves on the **Grooved Dividers (E)** as shown, until fully seated into the groove on the underside of the **Top Panel (B)**.

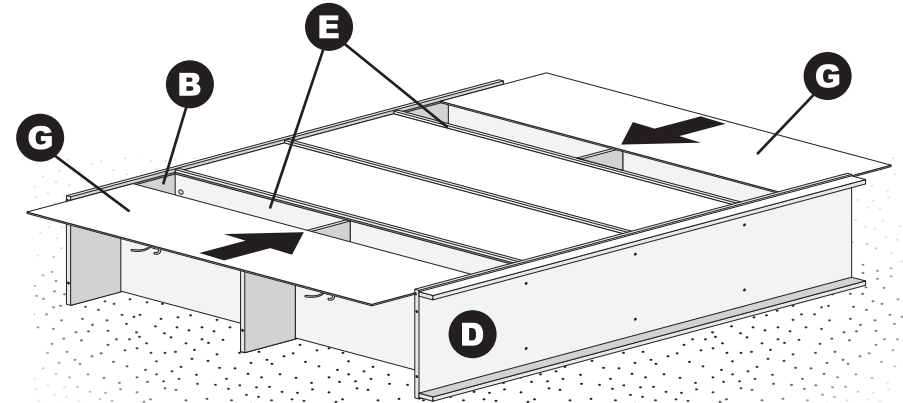
*Tip: If the **Back Panels (G)** do not slide in easily, wiggle the panels while pushing into place.*



## 7 Slide the Outer Back Panels into Place

Slide the remaining **Back Panels (G)** into the grooves on the **Top Panel (B)** and **Bottom Shelf (D)** as shown, until fully seated into the groove on the inside of the **Grooved Dividers (E)**.

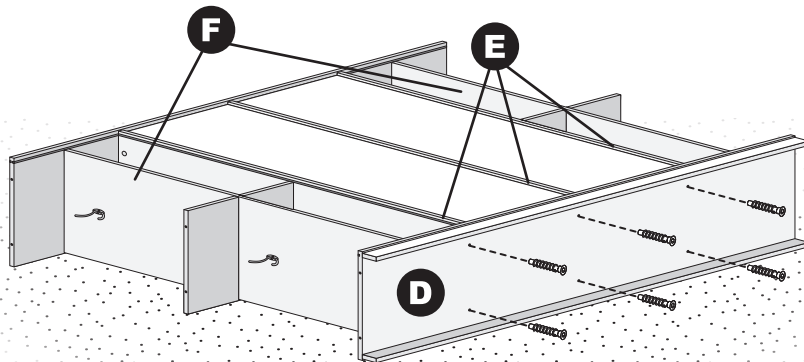
*Tip: If the **Back Panels (G)** do not slide in easily, wiggle the panels while pushing into place.*



## 6 Install the Bottom Shelf

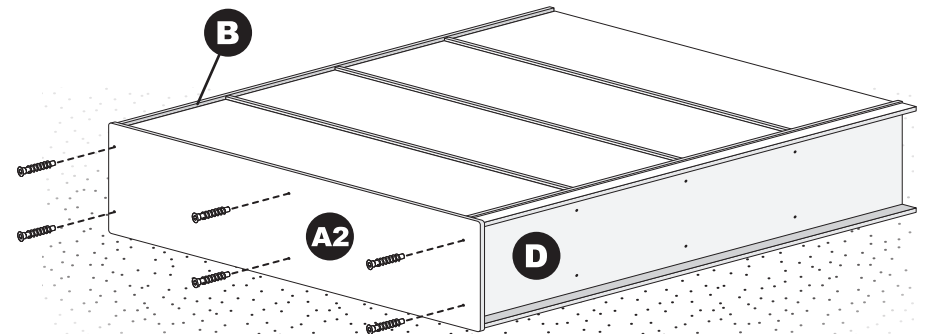
Insert the pre-installed wooden dowels on **Hanger Hook Dividers (F)** into the corresponding holes on the topside of **Bottom Shelf (D)**.

Install the **Bottom Shelf (D)** onto the **Grooved Dividers (E)** with six **Hex Screws (H)** using the Hex Tool.



## 8 Install the Right Side Panel

Install the **Right Side Panel (A2)** onto the **Top Panel (B)**, **Middle Shelf (C)** and **Bottom Shelf (D)** with six **Hex Screws (H)** using the Hex Tool.

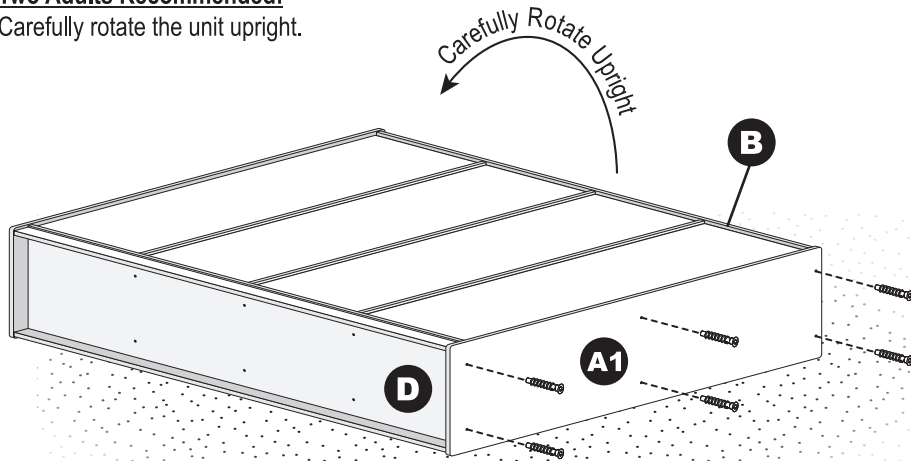


See Next Page

## 9 Install the Left Side Panel

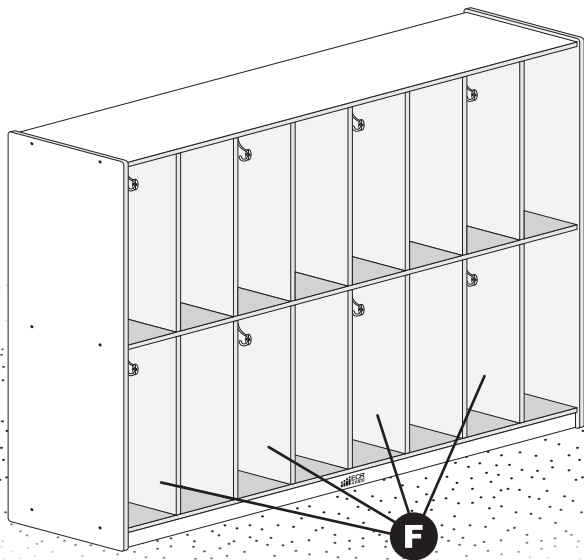
Install the **Left Side Panel (A1)** onto the **Top Panel (B)**, **Middle Shelf (C)** and **Bottom Shelf (D)** with six **Hex Screws (H)** using the Hex Tool.

**Two Adults Recommended:**  
Carefully rotate the unit upright.



## 10 Install the Hanger Hooks

**If you did not pre-install the Hanger Hooks in Step 1:** Install two **Hanger Hooks (K)** to each section of the **Hanger Hook Dividers (F)** by threading the **Hanger Hook Posts and Screws (J1/J2)** together from both sides of the divider.



We appreciate your purchase of the 16 Section Narrow Locker. ECR4KIDS has made every effort to supply a quality product that with proper use and care, will provide many years of trouble-free use.

If you experience any difficulties with this product, please email us at [ecrcs@ecr4kids.com](mailto:ecrcs@ecr4kids.com) or call toll-free at (855) ECR-4KIDS (Monday - Friday, 7:00am - 4:00pm Pacific Standard Time)

**Please do not return** to place of purchase as ECR4KIDS will replace defective part(s) and/or product.

**Warranty:** Visit our website for product specific warranty information at: [www.ecr4kids.com](http://www.ecr4kids.com)

### Care and Cleaning

Clean wood with a damp cloth or sponge using warm water and mild soap. Wipe dry.

Do not place near heat, moisture or vaporizer which may cause wood to warp and peel.

Check for loose or worn parts periodically and tighten or replace as necessary.

**Record the manufacture date here.** Information is located on the **Batch ID sticker** and on the **shipping carton.** **Save this sheet in an accessible place.**

**Model Number:** ELR-17305

**Factory Code:** EP

**Manufacture Date:** \_\_\_\_\_

**Batch ID Number:** \_\_\_\_\_  
(Located on Part D)