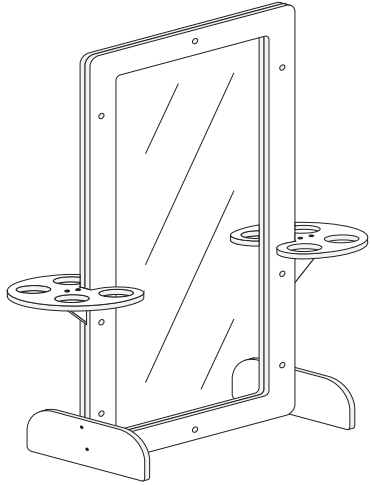


See Thru Art Easel Model# ELR-17400



WARNING:

Adult Assembly Required.

Two adults recommended.

- Contains small parts, sharp points and edges.
- Do not stand, sit, kneel, climb, lean or pull on unit for support.
- Never leave children unattended.
- Do not place unit near high heat or moisture.
- Adult supervision recommended.

TOOLS INCLUDED

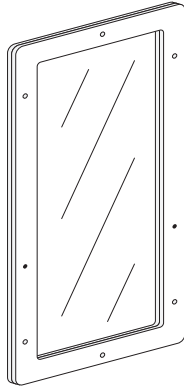
- Hex Tool (2)



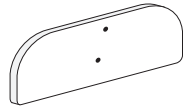
Parts List

BEFORE ASSEMBLING, MAKE SURE YOU HAVE ALL THE PARTS

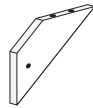
A Easel Frame (1)



B Feet (2)



C Side Supports (2)

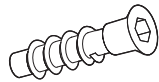


D Paint Cup Holders (2)



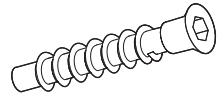
Batch ID Sticker located on underside

E Short Hex Screws (4)



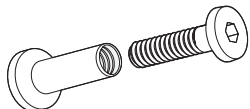
Use the Hex tool.

F Long Hex Screws (4)



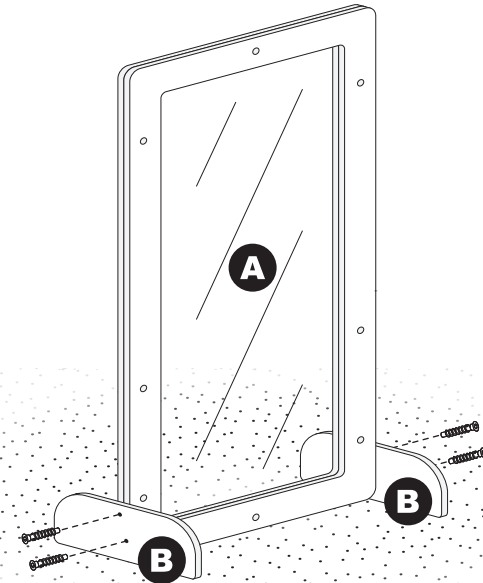
Use the Hex tool.

G Hex Screws & Posts (2/2)



Use both Hex tools.

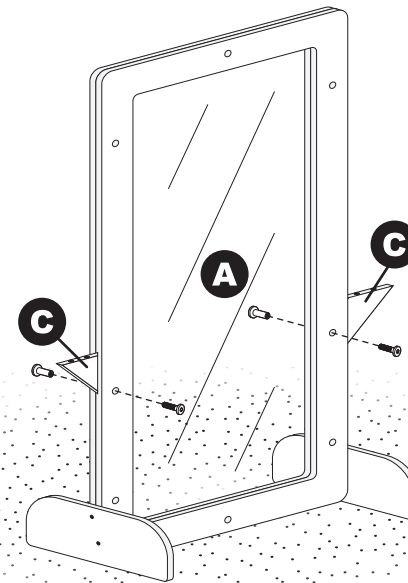
1 Install the Feet onto Easel Frame



Install both Feet (B) onto the Easel Frame (A) with the four Long Hex Screws (F) using the Hex Tool.

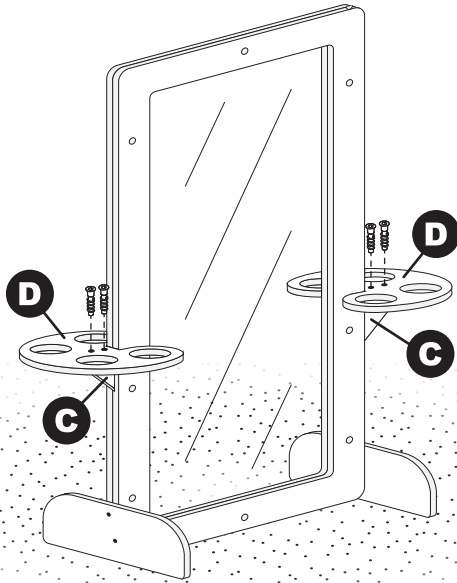
Note: Install the screws so pass thru the countersunk holes and sit flush with the panel surface.

2 Install the Side Supports to Easel Frame



Install both Side Supports (C) onto the Easel Frame (A) with the Hex Screws & Posts (G) using both Hex Tools.

3 Install Paint Cup Holders to Side Supports

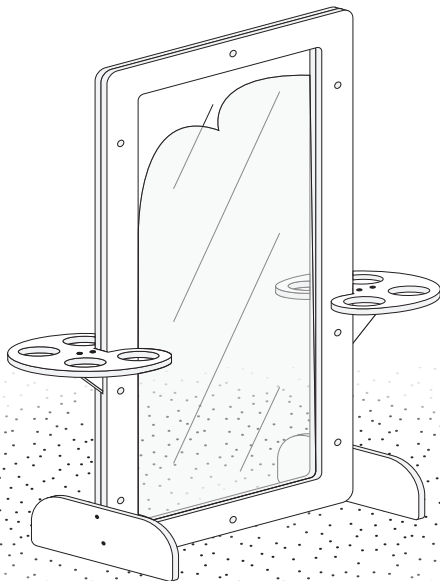


Install both **Paint Cup Holders (D)** onto the **Side Supports (C)** with the four **Short Hex Screws (E)** using the Hex Tool.

Tip: Insert the Paint Cup Holders notch onto the frame first, then lower onto the Side Supports.

Note: Install the screws so pass thru the countersunk holes and sit flush with the panel surface.

4 Remove Protective Film from Acrylic



Remove the protective film from both sides of the acrylic panel.

**Early Childhood
RESOURCES**

We appreciate your purchase of the See Thru Art Easel. Early Childhood Resources has made every effort to supply a quality product, that with proper use and care, will bring you many years of trouble free use!

If you experience any difficulties with this product, please email us at customerservice@ecr4kids.com or call toll-free at (888) 227-9028 (Monday - Friday, 7:00am - 4:00pm Pacific Standard Time)

Please do not return to place of purchase as Early Childhood Resources will replace defective part(s) and/or product.



"Early Childhood Resources® guarantees the quality of all of our products. You can trust the quality and safety of our furniture and materials, along with the peace of mind that our products are made to last. If for any reason, you are not satisfied with the quality and workmanship of our products, we will replace the item or refund the sale."

Care and Cleaning

Clean wood with a damp cloth or sponge using warm water and mild soap. Wipe dry.

Do not place near heat, moisture or vaporizer which may cause wood to warp and peel.

Check for loose or worn parts periodically and tighten or replace as necessary.

Record the manufacture date here. Information is located on the Batch ID sticker and on the shipping carton. Save this sheet in an accessible place.

Model Number: ELR-17400

Factory Code: D

Manufacture Date: _____

Batch ID Number: _____
(Located on Part D)