



San Diego, CA 92110 USA
www.ecr4kids.com

Three-Way Art Easel w/ Accessories Model# ELR-17401



WARNING:

Adult Assembly Required.

Two adults recommended.

- Contains small parts, sharp points and edges.
- Do not stand, sit, kneel, climb, lean or pull on unit for support.
- Never leave children unattended.
- Do not place unit near high heat or moisture.
- Adult supervision recommended.

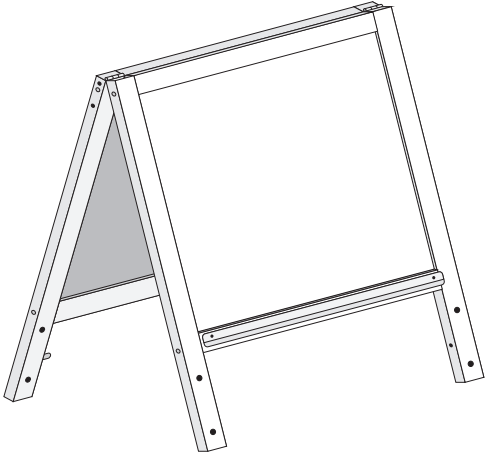

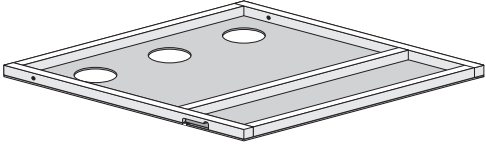
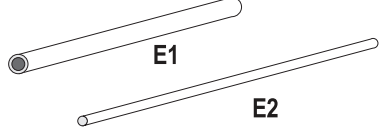
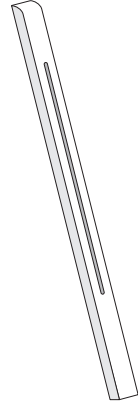
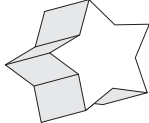

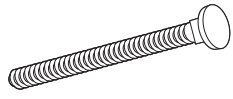

TOOLS NEEDED

+ Phillips Screwdriver



Parts List

BEFORE ASSEMBLING, MAKE SURE YOU HAVE ALL THE PARTS

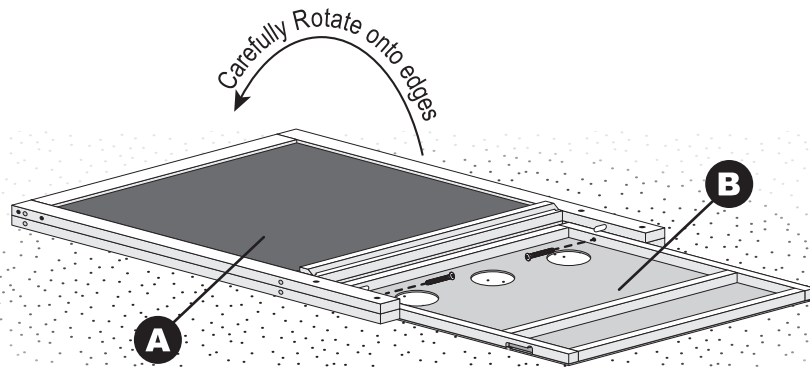
<p>A Easel Frame (1)</p> 	<p>D Paper Roll Brackets (1/1)</p>  <p>D1 D2</p>
<p>B Art Shelf (1)</p>  <p><i>Batch ID Sticker located on underside</i></p>	<p>E Paper Roll & Dowel (1/1)</p>  <p>E1 E2</p>
<p>C Legs (4)</p> 	<p>F Star Nuts (8)</p> 
	<p>G Phillips Wood Screws (2)</p> 
	<p>H Carriage Screws (8)</p>  <p><i>Use a Phillips Screwdriver</i></p>
	<p>I Phillips Machine Screws (4)</p>  <p><i>Use a Phillips Screwdriver</i></p>

1 Install the Art Shelf onto Easel Frame

Install the **Art Shelf (B)** onto the **Easel Frame (A)** as shown, with the Chalkboard facing upward, with two **Phillips Wood Screws (H)** using a Phillips Screwdriver.

Do not tighten screws completely, **Art Shelf (B)** needs to be able to rotate.

Carefully open up the **Easel Frame (A)** and **Art Shelf (B)** and rotate as a unit onto the frame edges, so that the panels are at 90° to each other as shown in **Step 2**.

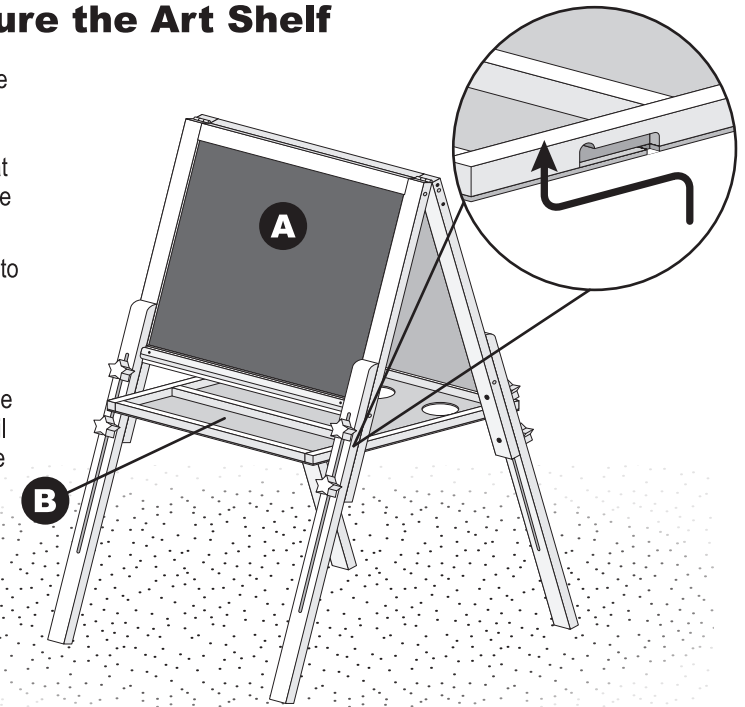


3 Secure the Art Shelf

Carefully stand up the easel and rotate the **Art Shelf (B)** upward over the lock pins that are pre-installed in the **Easel Frame (A)**.

Insert the lock pins into the notch on the underside of the **Art Shelf (B)**.

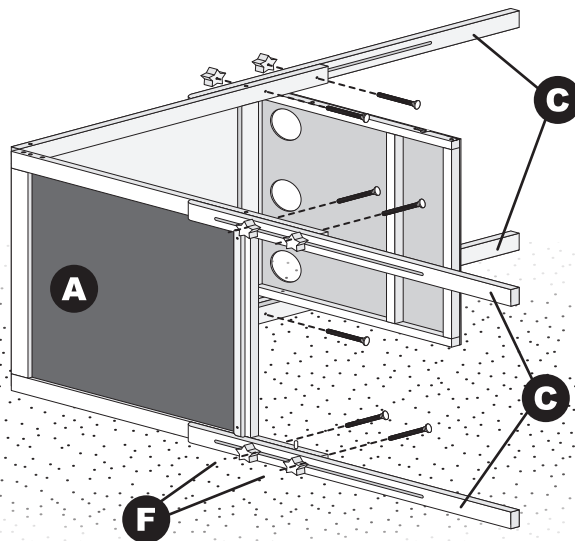
Widen the stance of the **Easel Frame (A)** until the Lock Pins engage into the lock notch.



2 Install the Legs onto Easel Frame

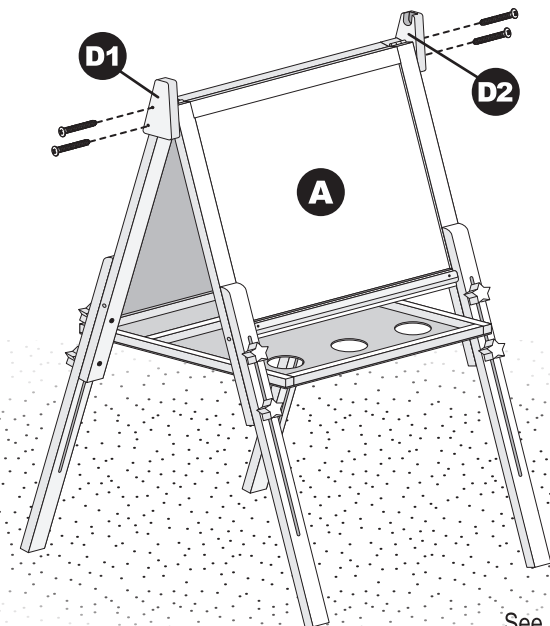
Install the **Legs (C)** onto the **Easel Frame (A)**, as shown with the curved edge toward the boards, with eight **Carriage Screws (I)** and eight **Star Nuts (F)**.

*Note: Make sure that the **Legs (C)** are all equal height.*



4 Install the Paper Roll Brackets

Install the **Paper Roll Brackets (D1/D2)** onto the **Easel Frame (A)** as shown, with the Whiteboard facing forward, with two **Phillips Machine Screws (J)** using a Phillips Screwdriver.

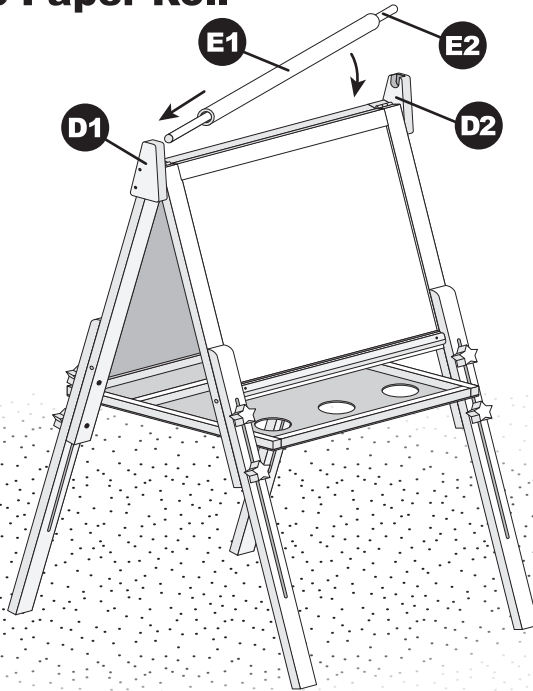


See Next Page

5 Insert the Paper Roll

Place the **Paper Roll (E1)** onto the **Dowel (E2)**, then insert one end into the corresponding hole on the inside of the **Paper Roll Bracket (D1)**.

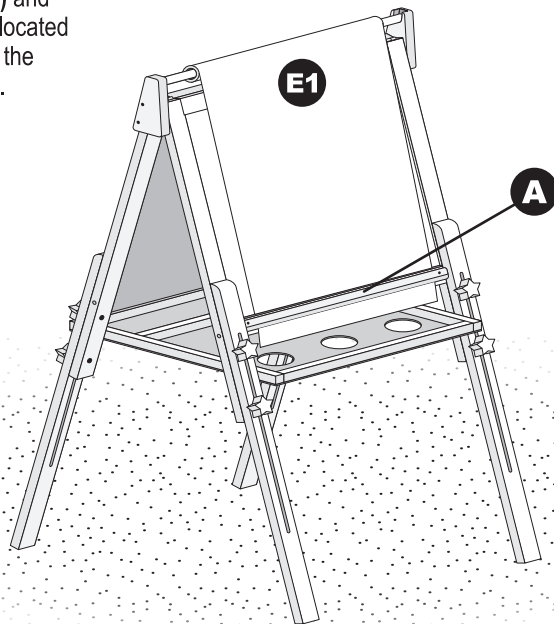
Opposite end nests into **Paper Roll Bracket (D2)**.



6 Place the Paper through Tear Bar

Un-roll the **Paper Roll (E1)** and feed through the Tear Bar located at the lower edge of either the Whiteboard or Chalkboard.

Place accessories on Art Shelf or Whiteboard.



We appreciate your purchase of the Three-Way Art Easel w/ Accessories. ECR4KIDS has made every effort to supply a quality product that with proper use and care, will provide many years of trouble-free use.

If you experience any difficulties with this product, please email us at ecrcs@ecr4kids.com or call toll-free at (855) ECR-4KIDS (Monday - Friday, 7:00am - 4:00pm Pacific Standard Time)

Please do not return to place of purchase as ECR4KIDS will replace defective part(s) and/or product.

Warranty: Visit our website for product specific warranty information at: www.ecr4kids.com

Care and Cleaning

Clean wood with a damp cloth or sponge using warm water and mild soap. Wipe dry.

Do not place near heat, moisture or vaporizer which may cause wood to warp and peel.

Check for loose or worn parts periodically and tighten or replace as necessary.

Record the manufacture date here. Information is located on the Batch ID sticker and on the shipping carton. Save this sheet in an accessible place.

Model Number: ELR-17401

Factory Code: DV

Manufacture Date: _____

Batch ID Number: _____
(Located on Part B)