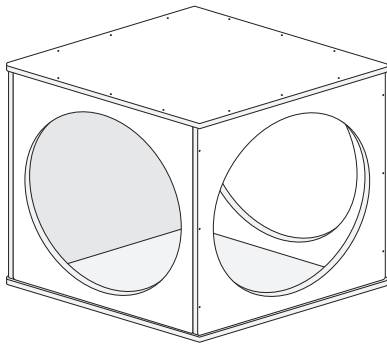


Play House Cube Model#: ELR-17500



⚠ WARNING:

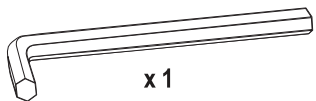
Adult Assembly Required.

Two adults recommended.

- Contains small parts, sharp points and edges.
- Do not stand, sit, kneel, climb, lean or pull on unit for support.
- Never leave children unattended.
- Do not place unit near high heat or moisture.
- Adult Supervision Recommended.

TOOLS INCLUDED

- Hex Tool

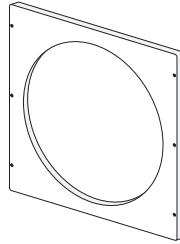


x 1

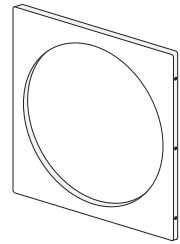
Parts List

BEFORE ASSEMBLING, MAKE SURE YOU HAVE ALL THE PARTS

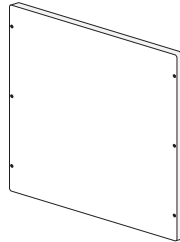
A Front Panel (1)



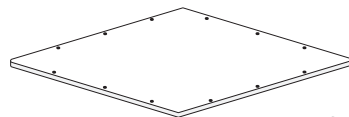
B Side Panels (2)



C Back Panel (1)

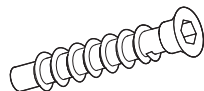


D Top / Bottom Panels (2)



Batch ID Sticker
located on underside

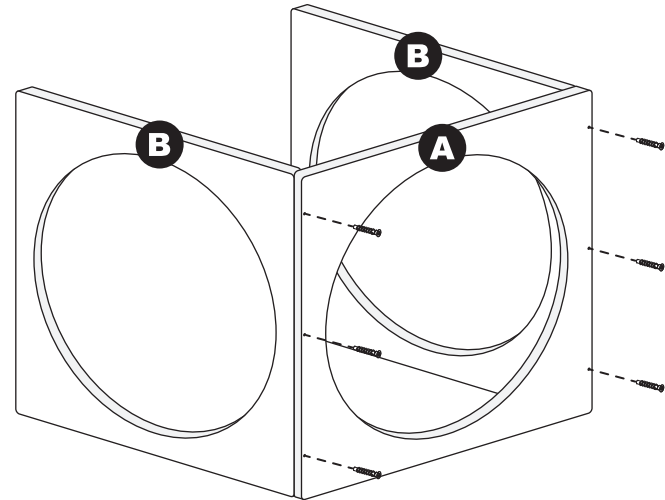
E Hex Screws (36)



Use the
Hex Tool.

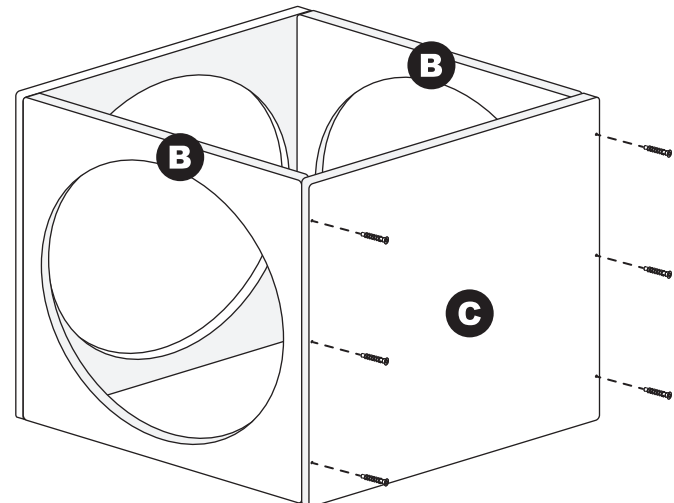
1 Install Side Panels to Front Panel

Install the Front Panel (A) to the Side Panels (B) with six Hex Screws (E) using the Hex Tool.

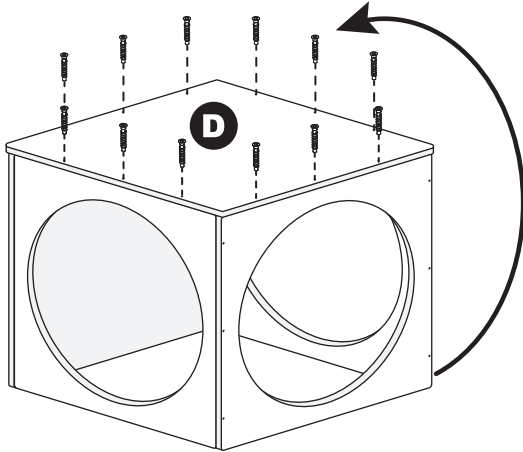


2 Install Back Panel to Side Panels

Install the Back Panel (C) to the Side Panels (B) with six Hex Screws (E) using the Hex Tool.



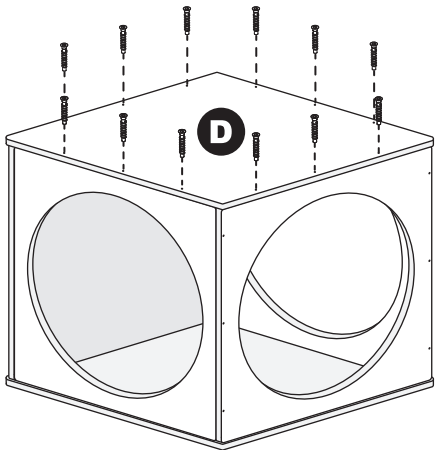
3 Install Bottom Panel to Cube



Install the **Bottom Panel (D)** to the cube with twelve **Hex Screws (E)**.

TWO ADULTS RECOMMENDED. Carefully rotate the cube so it is upside down to install the Top Panel.

4 Install Top Panel to Cube



Install the **Top Panel (D)** to the cube with twelve **Hex Screws (E)**.

Place the optional cushion (ELR-16200) into the cube floor.



CAUTION:

- Do not allow children to climb on top of cube.
- Do not use as a ladder, seat or step.

Early Childhood
RESOURCES

We appreciate your purchase of the Play House Cube. Early Childhood Resources has made every effort to supply a quality product, that with proper use and care, will bring you many years of trouble free use!

If you experience any difficulties with this product, please email us at customerservice@ecr4kids.com or call toll-free at (888) 227-9028 (Monday - Friday, 7:00am - 4:00pm Pacific Standard Time)

Please do not return to place of purchase as Early Childhood Resources will replace defective part(s) and/or product.



"Early Childhood Resources® guarantees the quality of all of our products. You can trust the quality and safety of our furniture and materials, along with the peace of mind that our products are made to last. If for any reason, you are not satisfied with the quality and workmanship of our products, we will replace the item or refund the sale."

Care and Cleaning

Clean wood with a damp cloth or sponge using warm water and mild soap. Wipe dry.

Do not place near heat, moisture or vaporizer which may cause wood to warp and peel.

Check for loose or worn parts periodically and tighten or replace as necessary.

Record the manufacture date here. Information is located on the Batch ID sticker and on the shipping carton. Save this sheet in an accessible place.

Model Number: ELR-17500

Factory Code: D

Manufacture Date: _____

Batch ID Number: _____
(Located on Part D)