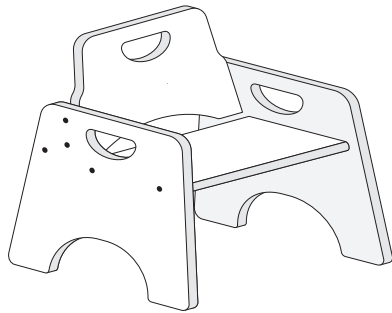


**Stackable
Toddler Chairs**
Model #'s:

ELR-18005: 6"
ELR-18006: 8"
ELR-18007: 10"



WARNING:

Adult Assembly Required.

- Contains small parts, sharp points and edges.
- Do not stand, kneel, climb, lean or pull on unit for support.
- Never leave children unattended.
- Do not place unit near high heat or moisture.
- Adult supervision recommended.

TOOLS INCLUDED

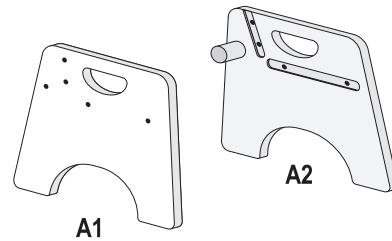
- Hex Tool (1)



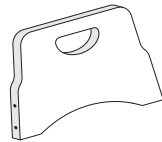
Parts List

BEFORE ASSEMBLING, MAKE SURE YOU HAVE ALL THE PARTS

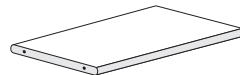
A Left & Right Side Panels (2/2)



B Back Panels (2)

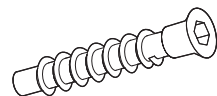


C Seat Panels (2)



Batch ID Sticker located on underside

D Hex Screws (16)



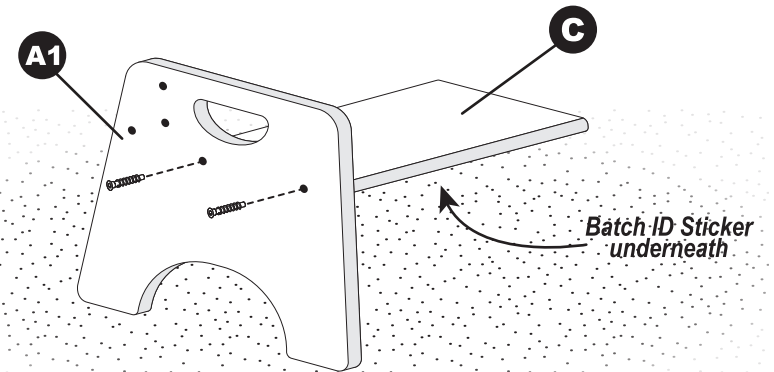
Use the Hex Tool

1 Install the Seat Panel

Install the **Seat Panel (C)** onto the **Left Side Panel (A1)** with two **Hex Screws (D)** using the Hex Tool.

Make sure the **Seat Panel (C)** is fully seated into the groove on the inside of the **Left Side Panel (A1)**.

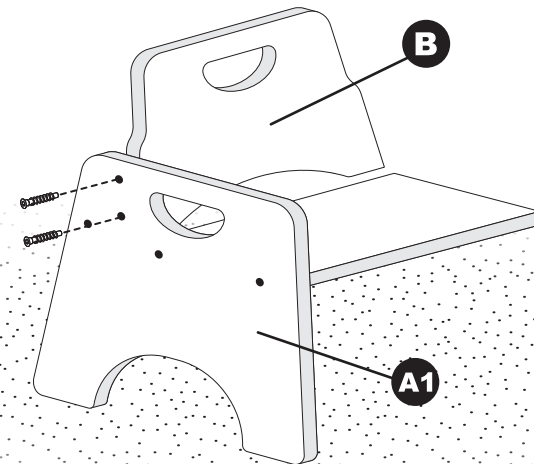
*Note: The **Seat Panel (C)** has angles cut on the ends, install so the legs will be angled outward at the feet.*



2 Install the Back Panel

Install the **Back Panel (B)** onto the **Left Side Panel (A1)** with two **Hex Screws (D)** using the Hex Tool.

Make sure the **Back Panel (B)** is fully seated into the groove on the inside of the **Left Side Panel (A1)**.

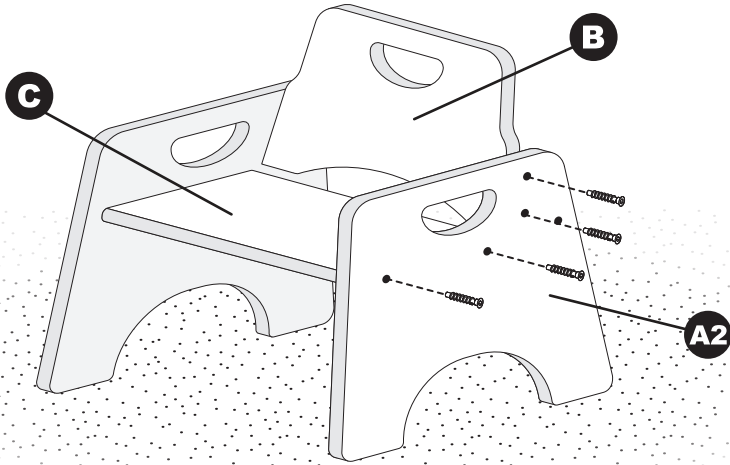


See Next Page

3 Install the Right Side Panel

Install the **Right Side Panel (A2)** onto the **Back Panel (B)** and **Seat Panel (C)** with four **Hex Screws (D)** using the Hex Tool.

Make sure the **Back Panel (B)** and **Seat Panel (C)** are fully seated into the grooves on the inside of the **Right Side Panel (A2)**.



Care and Cleaning

Clean wood with a damp cloth or sponge using warm water and mild soap. Wipe dry.

Do not place near heat, moisture or vaporizer which may cause wood to warp and peel.

Check for loose or worn parts periodically and tighten or replace as necessary.



We appreciate your purchase of the Stackable Toddler Chairs. ECR4KIDS has made every effort to supply a quality product that with proper use and care, will provide many years of trouble-free use.

If you experience any difficulties with this product, please email us at ecrs@ecr4kids.com or call toll-free at (855) ECR-4KIDS (Monday - Friday, 7:00am - 4:00pm Pacific Standard Time)

Please do not return to place of purchase as ECR4KIDS will replace defective part(s) and/or product.

Warranty: Visit our website for product specific warranty information at: www.ecr4kids.com

**Record the manufacture date here.
Information is located on the Batch ID
sticker and on the shipping carton.
Save this sheet in an accessible place.**

Model Number: ELR-18005, ELR-18006, ELR-18007
(circle one)

Factory Code: BR

Manufacture Date: _____

Batch ID Number: _____
(Located on Part C)