



Horizontal Changing Station
Model# ELR-18004

INSTALLATION GUIDELINES

Must be performed by a qualified professional

Read the owner's manual and installation guidelines entirely before attempting to install the Horizontal Changing Station.

The safety and strength of this unit is only as strong as the way in which it is mounted onto the wall.

A qualified professional should install the Horizontal Changing Station. Your desired installation location and wall type will dictate the required mounting hardware. Hardware is not included. The qualified professional should provide the hardware necessary for a safe and proper installation.

IMPORTANT: The unit must be installed into wall studs in a minimum of two locations. The following installation guidelines are based on mounting into wood studs.

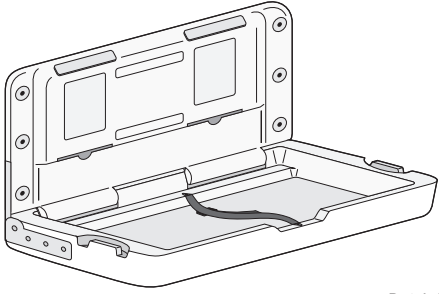
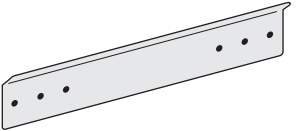
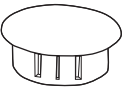
Not following installation guidelines may void the warranty and may cause injury.

⚠ WARNING:

- Never leave child unattended.
- Avoid serious injury from falling or sliding out. Always use a restraint system.
- Designed for Infants Only. Age up to 3.5 years and weighing less than 50 lb. Keep one hand on the child at all times.
- Use bag holders on each side for parcels up to 25 pounds each. Exceeding this weight may create a hazard from an unstable condition.
- Do not stand, sit, kneel, climb, lean or pull on changing table for support.

Parts List

BEFORE INSTALLATION, MAKE SURE YOU HAVE ALL THE PARTS

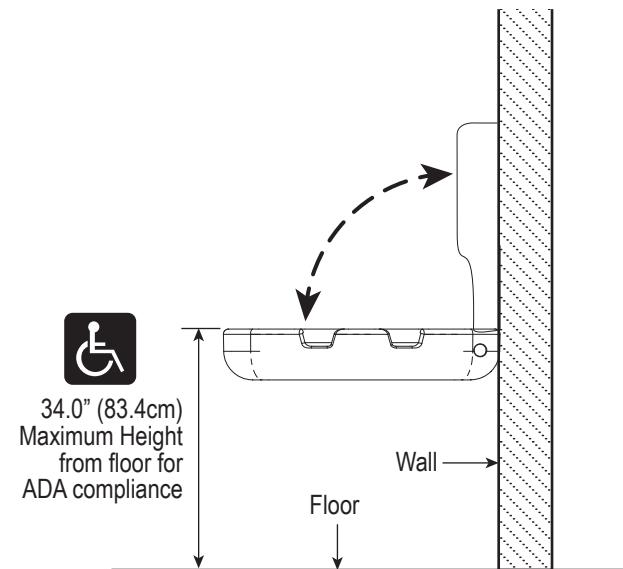
A	Changing Station (1)	B	Mounting Bracket (1)
 <p style="text-align: right; font-size: small;"><i>Batch ID sticker located on bottom edge</i></p>			
		C	Screw Covers (6)
			

ADA Compliance Regulations



ADA Accessibility Guidelines state that a changing station must be installed so the uppermost edge of the changing platform is **32.0" - 34.0" (81.3cm - 86.4cm)** above the finished floor, in the horizontal position.

For complete ADA guidelines go to www.ada.gov.



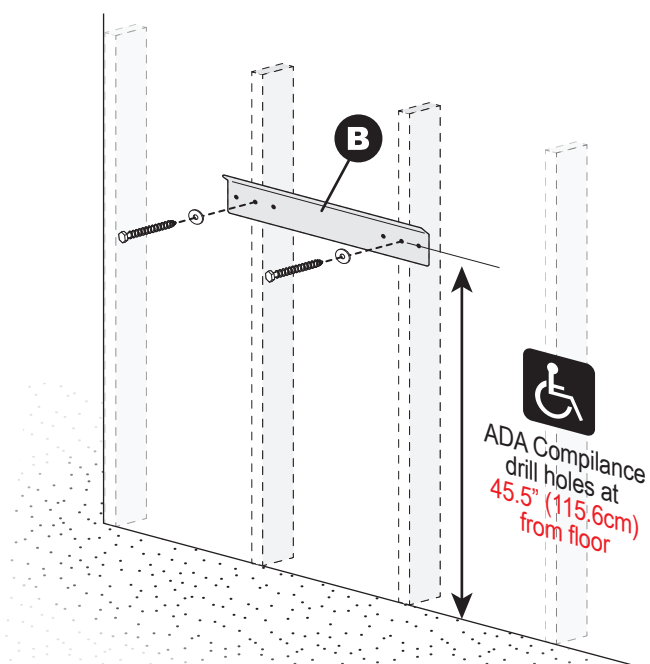
1 Installing the Mounting Bracket

Identify the location for installation. Locate wall studs.

Measure **45.5" (115.6cm)** from the floor and mark the location on each wall stud. Verify that the marks are level.

Align the **Mounting Bracket (B)** over the holes and install as shown.

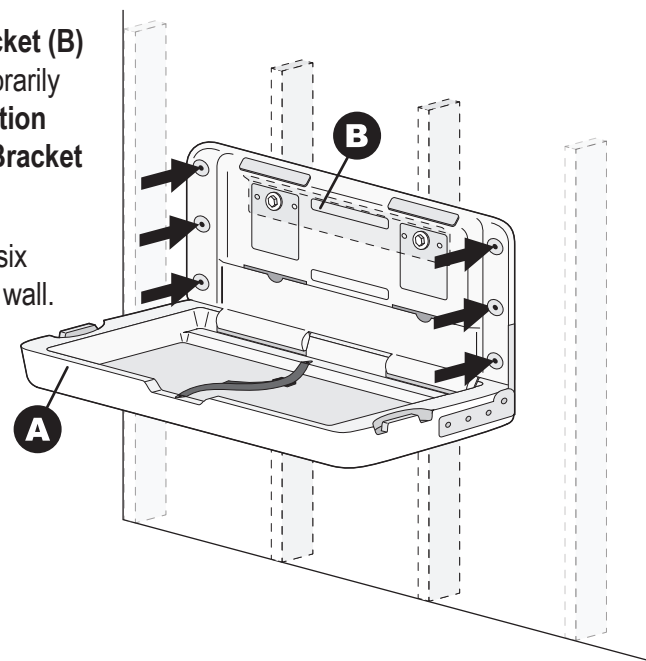
Note: Make sure the angled lip on the top of the **Mounting Bracket (B)** is angled away from the wall.



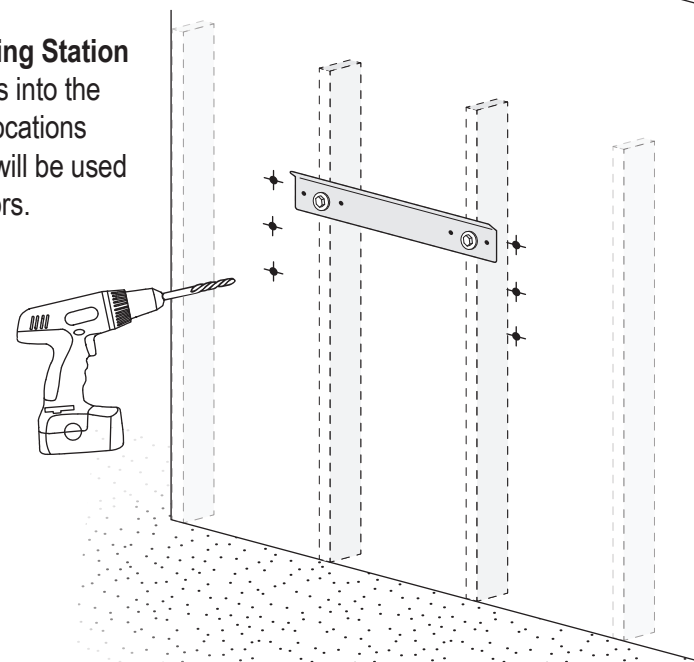
2 Mark Holes for Snap Toggle Anchors

With the **Mounting Bracket (B)** securely installed, temporarily place the **Changing Station (A)** onto the **Mounting Bracket (B)**.

Mark the location of the six mounting holes onto the wall.

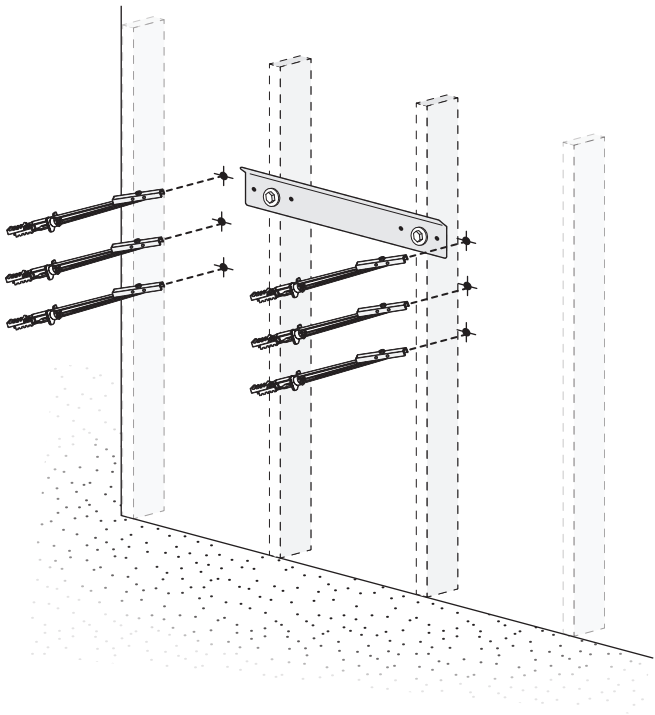


Remove the **Changing Station (A)** and drill six holes into the wall at the marked locations from above. Holes will be used for toggle bolt anchors.



3 Install Snap Toggle Anchors

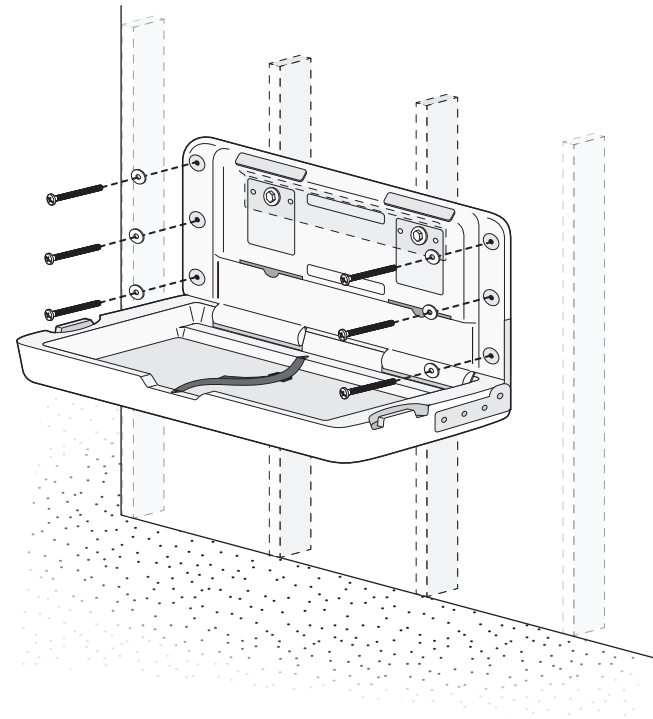
Install the snap toggle anchors into the holes per snap toggle anchor manufacturer's instruction.



4 Mount the Horizontal Changing Station to the Wall

Hang the **Changing Station (A)** on to the **Mounting Bracket (B)**.

Install six phillips screws and washers into the snap toggle anchors.



Place the **Screw Covers (C)** into the six mounting holes to cover the screws.

Fill the integrated dispenser with changing station liners (not included).