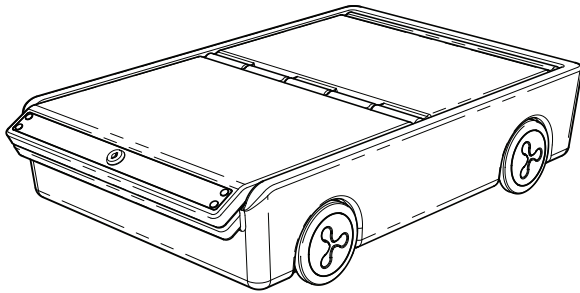


Lock & Roll
 Model# ELR-20400



⚠ WARNING:

Adult Assembly Required.

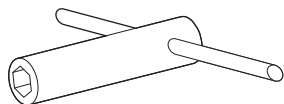
- Contains small parts, sharp points and edges.
- Do not stand, sit, kneel, climb on unit for support.
- Never leave children unattended.
- Do not place unit near high heat or moisture.
- Adult supervision recommended.

TOOLS INCLUDED

- Hex Tool (1)

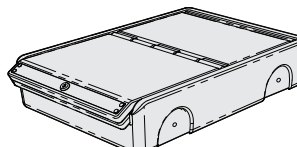
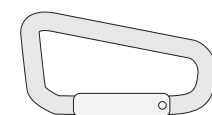
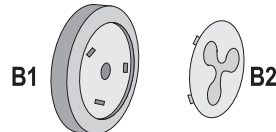
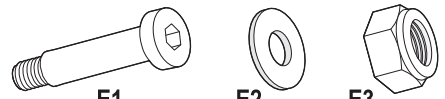
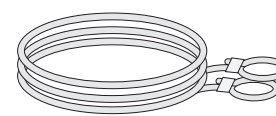
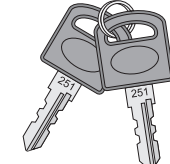


- Socket Wrench (1)



Parts List

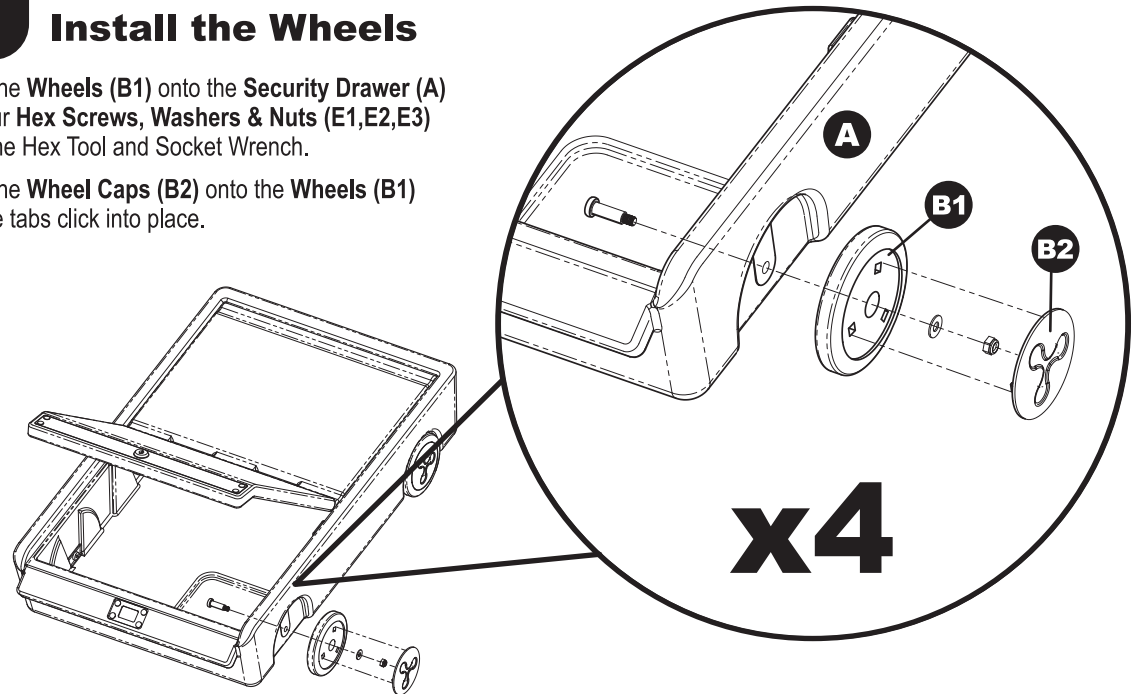
BEFORE ASSEMBLING, MAKE SURE YOU HAVE ALL THE PARTS

<p>A Security Drawer (1)</p>  <p><i>Batch ID Sticker located on underside</i></p>	<p>D Carabiner (1)</p> 
<p>B Wheels & Caps (4/4)</p>  <p>B1 B2</p>	<p>E Hex Screws, Washers, Nuts (4/4/4)</p>  <p>E1 E2 E3</p> <p><i>Use the Hex Tool & Socket Wrench</i></p>
<p>C Cable (1)</p> 	<p>F Keys (2)</p> 

1 Install the Wheels

Install the **Wheels (B1)** onto the **Security Drawer (A)** with four **Hex Screws, Washers & Nuts (E1,E2,E3)** using the Hex Tool and Socket Wrench.

Install the **Wheel Caps (B2)** onto the **Wheels (B1)** until the tabs click into place.

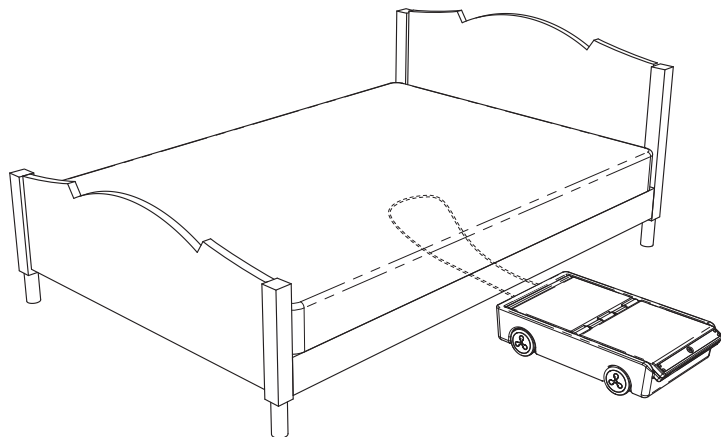
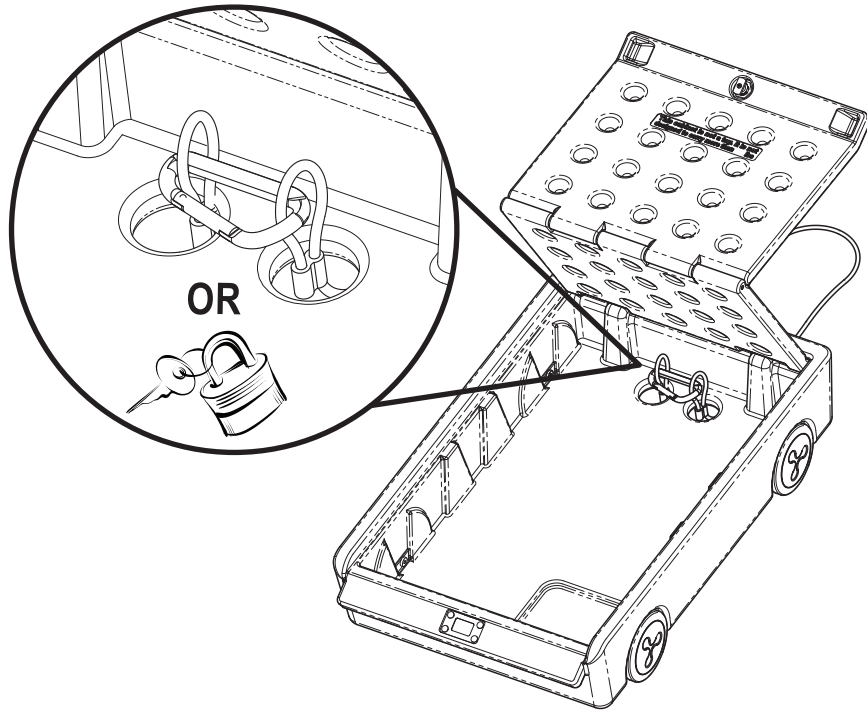


See Next Page

2 Secure the Unit

Secure the **Security Drawer (A)** to a heavy or fixed object using the **Cable (C)** and **Carabiner (D)**, as shown.

Not designed to carry more than 50lbs (22.7kgs).



ECR[®]
4 KIDS

We appreciate your purchase of the Lock & Roll
ECR4KIDS has made every effort to supply a quality product that with proper
use and care, will provide many years of trouble-free use.

If you experience any difficulties with this product, please email us at
ecrcs@ecr4kids.com or call toll-free at (855) ECR-4KIDS
(Monday - Friday, 7:00am - 4:00pm Pacific Standard Time)

Please do not return to place of purchase as ECR4KIDS will
replace defective part(s) and/or product.

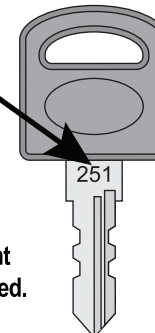
Warranty: Visit our website for product specific warranty information at:
www.ecr4kids.com

REPLACEMENT KEY INFORMATION

This is where your Key #
be found.

Record your Key #
here : _____

Save this sheet in an
accessible place, in the event
your Key needs to be replaced.



Record the manufacture date here.
Information is located on the Batch ID
sticker and on the shipping carton.
Save this sheet in an accessible place.

Model Number: ELR-20400

Factory Code: CK

Manufacture Date: _____

Batch ID Number: _____
(Located on Part A)