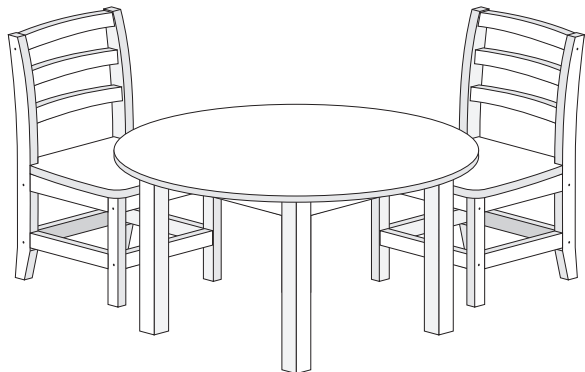




San Diego, CA 92110 USA  
www.ecr4kids.com

**30" Round Table + Two 12" Hardwood Ladderback Chairs**  
Model# ELR-22101



**⚠ WARNING:**

**Adult Assembly Required.**

Two adults recommended.

- Contains small parts, sharp points and edges.
- Do not stand, kneel, climb, lean or pull on unit for support.
- Never leave children unattended.
- Do not place unit near high heat or moisture.
- Adult supervision recommended.

**TOOLS INCLUDED**

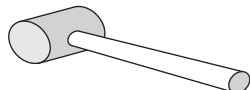
- Hex Tool (1)



**TOOLS NEEDED**

- Phillips Screwdriver

- Rubber Mallet or Hammer



**Table Parts List**

BEFORE ASSEMBLING, MAKE SURE YOU HAVE ALL THE PARTS

<p><b>A</b> Table Top (1)</p> <p>Batch ID Sticker located on underside</p>	<p><b>B</b> Table Legs (4)</p>
<p><b>C</b> Washers/Lock Washers/Hex Screws (8/8/8)</p> <p>C1 C2 C3 Use the Hex Tool</p>	

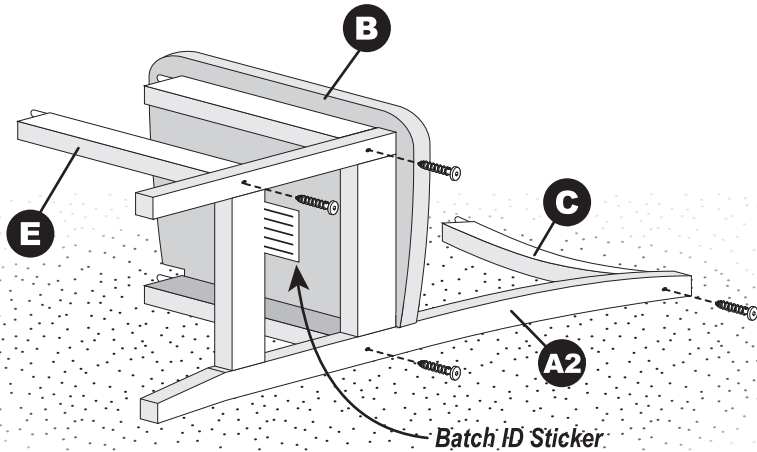
**Chairs Parts List**

<p><b>A</b> Left &amp; Right Side Frames (2/2)</p> <p>A1 A2</p>	<p><b>C</b> Upper Back Rails (2)</p>
<p><b>D</b> Lower Back Rails (4)</p>	
<p><b>E</b> Front Crossbars (2)</p>	
<p><b>F</b> Rear Crossbars (2)</p> <p>Use a Phillips Screwdriver</p>	
<p><b>B</b> Seat Panels (2)</p> <p>Batch ID Sticker located on underside</p>	<p><b>G</b> Wood Hex Screws (16)</p> <p>Use the Hex Tool</p>
<p><b>H</b> Screw Covers (16)</p> <p>Use a Rubber Mallet or Hammer</p>	

## 1 Install the Right Side Frame

Insert the pre-installed wooden dowels on **Seat Panel (B)**, **Upper Back Rail (C)** and **Front Crossbar (E)** into the corresponding holes on the inside of **Right Side Frame (A2)**.

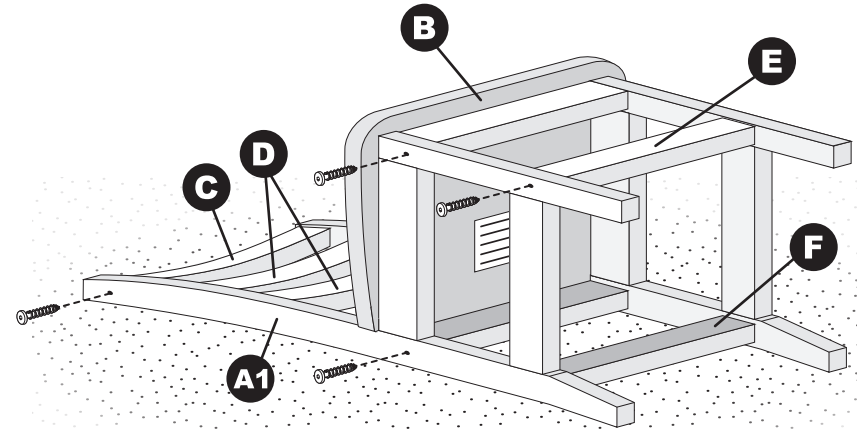
Install the **Seat Panel (B)**, **Upper Back Rail (C)** and **Front Crossbars (E)** onto the **Right Side Frame (A2)** with four **Wood Hex Screws (G)** using the Hex Tool.



## 3 Install the Left Side Frame

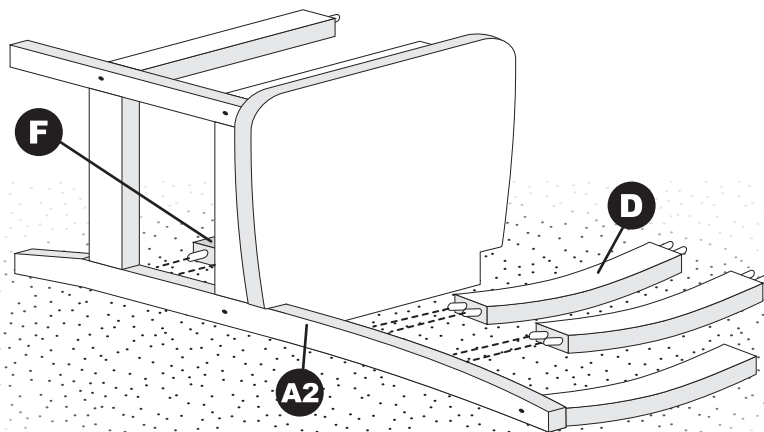
Insert the pre-installed wooden dowels on **Seat Panel (B)**, **Upper/Lower Back Rails (C/D)** and **Front/Rear Crossbars (E/F)** into the corresponding holes on the inside of **Left Side Frame (A1)**.

Install the **Seat Panel (B)**, **Upper Back Rails (C)** and **Front Crossbars (E)** onto the **Left Side Frame (A1)** with four **Wood Hex Screws (G)** using the Hex Tool.



## 2 Insert the Lower Back Rails

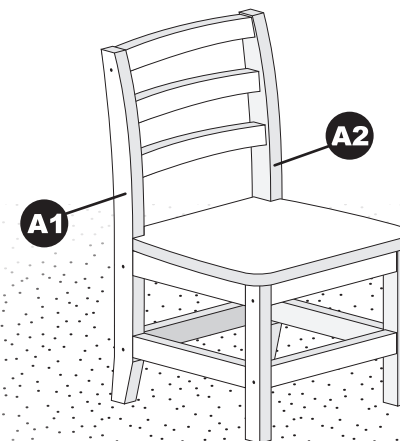
Insert the pre-installed wooden dowels on two **Lower Back Rails (D)** and **Rear Crossbar (F)** into the corresponding holes on the inside of **Right Side Frame (A2)**.



## 4 Check Straightness

Place the chair on a hard level surface and check to ensure that chair is sitting straight and does not wobble. If there is a slight wobble, loosen the **Wood Hex Screws (G)** slightly and apply pressure onto the seat in opposing corners to remove the wobble.

Re-tighten all **Wood Hex Screws (G)** firmly.

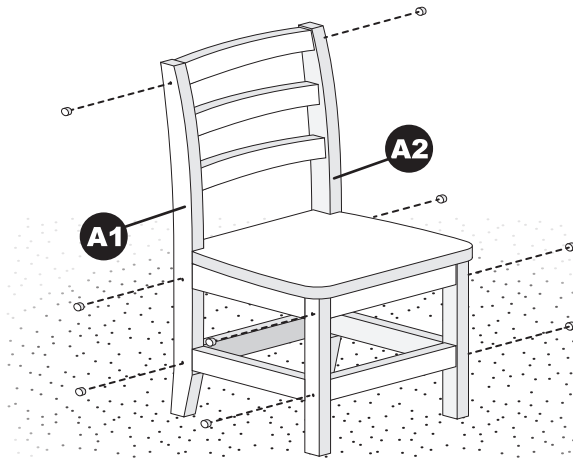


See Next Page

## 5 OPTIONAL: Install the Screw Covers

**OPTIONAL:** Install the **Screw Covers (H)** into the recessed holes to cover the Wood Hex Screws on **Left/Right Side Frames (A1/A2)** with Rubber Mallet or Hammer. Make sure to complete **STEP 4** before installing the Screw Covers as adjustments are not possible after Screw Cover installation.

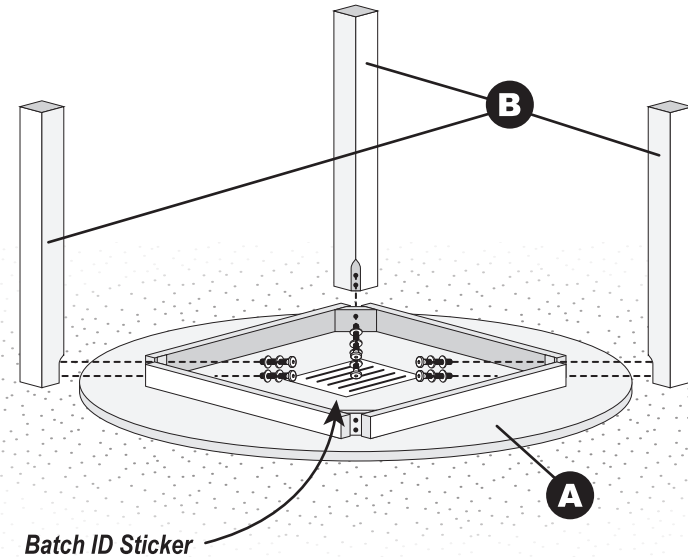
**Recommended:** Place Wood Glue on the **Screw Covers (H)** before installing. Wipe away any excess glue with a clean soft cloth and allow to dry for a minimum of 24 hours before use.



## 6 Install Table Legs to Table Top

Place the **Table Top (A)** upside-down on a protected surface. Install the **Table Legs (B)** to each corner of the table crossbars with the **Washers/Lock Washers/Hex Screws (C1/C2/C3)** as shown, using the Hex Tool. Tighten Firmly.

**Note:** The final leg is not shown for illustration purposes.



### CAUTION:

- Do not allow children to climb on chair.
- Do not use as a ladder or step.

### Care and Cleaning

Clean wood with a damp cloth or sponge using warm water and mild soap. Wipe dry.

Do not place near heat, moisture or vaporizer which may cause wood to warp and peel.

Check for loose or worn parts periodically and tighten or replace as necessary.



---

We appreciate your purchase of the 30" Round Table + Two 12" Ladderback Chairs. ECR4KIDS has made every effort to supply a quality product that with proper use and care, will provide many years of trouble-free use.

---

If you experience any difficulties with this product, please email us at [ecrcs@ecr4kids.com](mailto:ecrcs@ecr4kids.com) or call toll-free at (855) ECR-4KIDS (Monday - Friday, 7:00am - 4:00pm Pacific Standard Time)

**Please do not return** to place of purchase as ECR4KIDS will replace defective part(s) and/or product.

---

**Warranty:** Visit our website for product specific warranty information at: [www.ecr4kids.com](http://www.ecr4kids.com)

**Record the manufacture date here.  
Information is located on the Batch ID  
sticker and on the shipping carton.  
Save this sheet in an accessible place.**

**Model Number:** ELR-22101

**Factory Code:** DI

**Manufacture Date:** \_\_\_\_\_

**Batch ID Number:** \_\_\_\_\_  
(Located on Part A (Table) / B (Chairs))