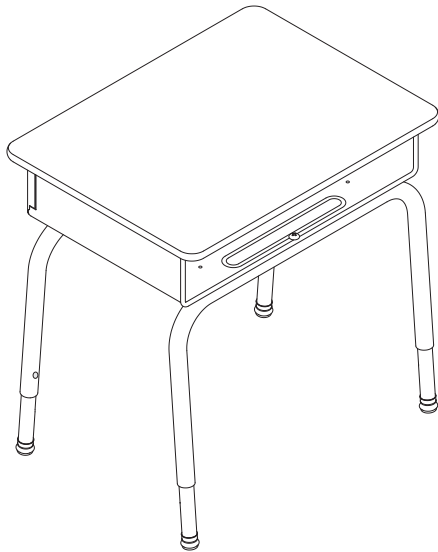


**Open Front Desk
w/ Metal Book Box**
Model# ELR-24101-A



⚠ WARNING:

Adult Assembly Required.

- Contains small parts, sharp points and edges.
- Do not stand, sit, kneel, climb, lean or pull on unit for support.
- Never leave children unattended.
- Do not place unit near high heat or moisture.
- Adult supervision recommended.

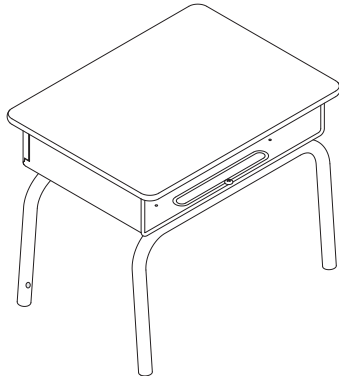
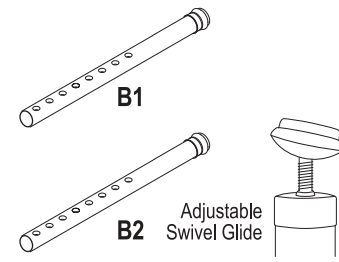
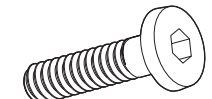
TOOLS INCLUDED

- Hex Tool (1)



Parts List

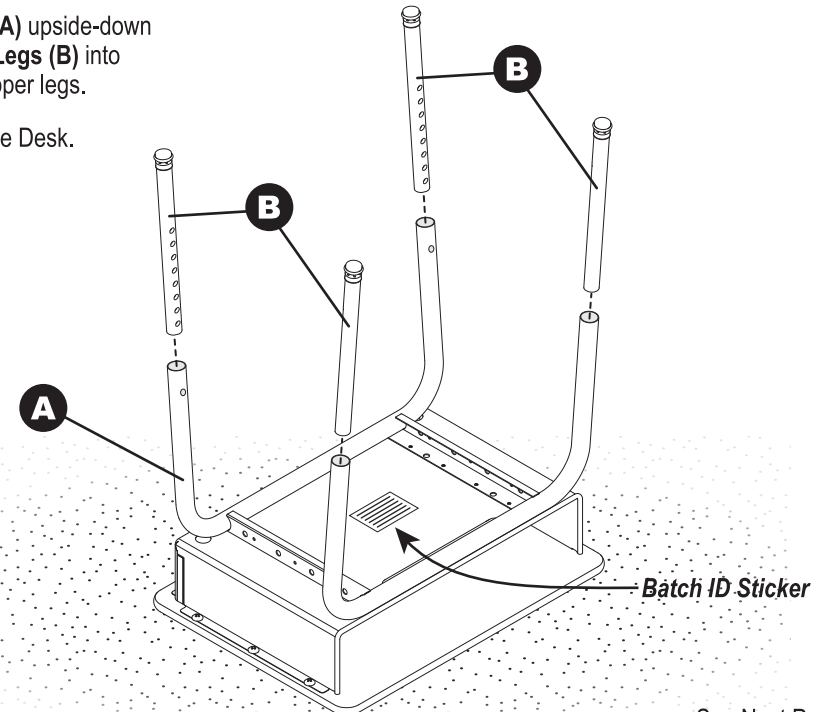
BEFORE ASSEMBLING, MAKE SURE YOU HAVE ALL THE PARTS

<p>A Open Front Desk Frame (1)</p>  <p><i>Batch ID Sticker located on underside</i></p>	<p>B Lower Legs (3/1)</p>  <p>B1 B2 Adjustable Swivel Glide</p>
<p>C Hex Screws (4)</p>  <p><i>Use the Hex Tool</i></p>	

1 Insert the Lower Legs into the Desk Frame

With the **Open Front Desk Frame (A)** upside-down on a soft surface, insert the **Lower Legs (B)** into the **Open Front Desk Frame (A)** upper legs.

Determine your desired height for the Desk.

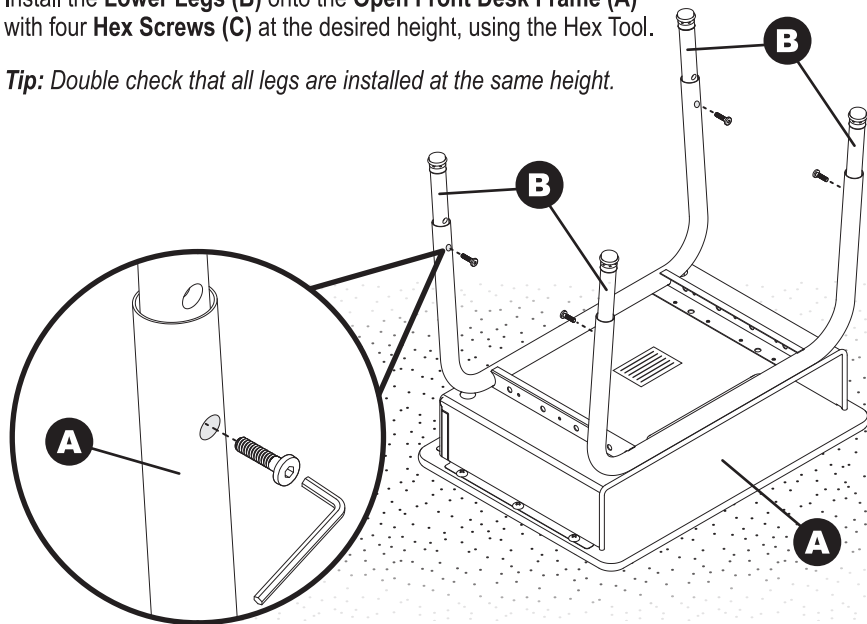


See Next Page

2 Install Lower Legs at the Desired Height

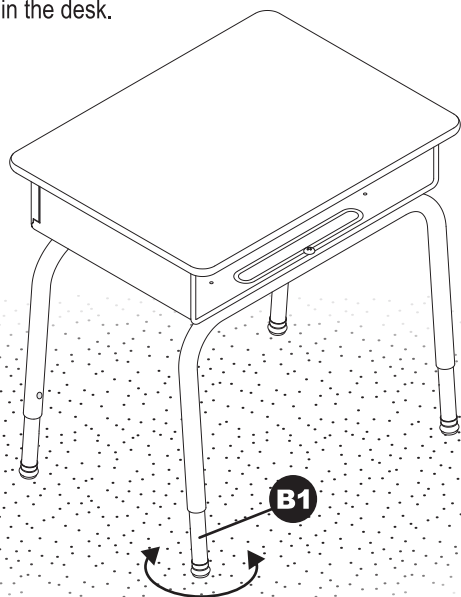
Install the **Lower Legs (B)** onto the **Open Front Desk Frame (A)** with four **Hex Screws (C)** at the desired height, using the Hex Tool.

Tip: Double check that all legs are installed at the same height.



3 Level the Desk

Identify the **Adjustable Swivel Glide Lower Leg (B2)**, rotate to the to remove any wobble in the desk.



We appreciate your purchase of the Open Front Desk. ECR4KIDS has made every effort to supply a quality product that with proper use and care, will provide many years of trouble-free use.

If you experience any difficulties with this product, please email us at ecrcs@ecr4kids.com or call toll-free at (855) ECR-4KIDS (Monday - Friday, 7:00am - 4:00pm Pacific Standard Time)

Please do not return to place of purchase as ECR4KIDS will replace defective part(s) and/or product.

Warranty: Visit our website for product specific warranty information at: www.ecr4kids.com

Care and Cleaning

Clean unit with a damp cloth or sponge using warm water and mild soap. Wipe dry.

Do not place near heat, moisture or vaporizer which may cause panels to warp and peel.

Check for loose or worn parts periodically and tighten or replace as necessary.

Record the manufacture date here. Information is located on the Batch ID sticker and on the shipping carton. Save this sheet in an accessible place.

Model Number: ELR-24101-A

Factory Code: CM

Manufacture Date: _____

Batch ID Number: _____
(Located on Part A)