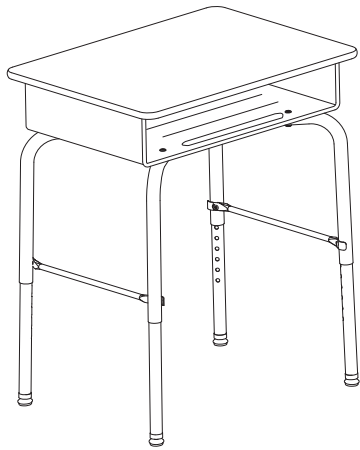


Open Front Desk
- RTA Version -
Model# ELR-24103



WARNING:

Adult Assembly Required.

- Contains small parts, sharp points and edges.
- Do not stand, sit, kneel, climb, lean or pull on unit for support.
- Never leave children unattended.
- Do not place unit near high heat or moisture.
- Adult supervision recommended.

TOOLS INCLUDED

Hex Tool - 5mm (1)



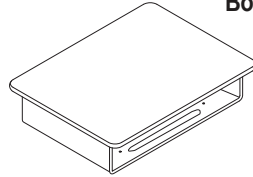
Hex Tool - 4mm (2)



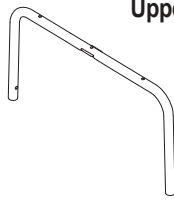
Parts List

BEFORE ASSEMBLING, MAKE SURE YOU HAVE ALL THE PARTS

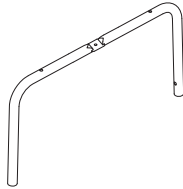
A Book Box (1)



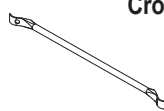
B Upper X-Frame (1)



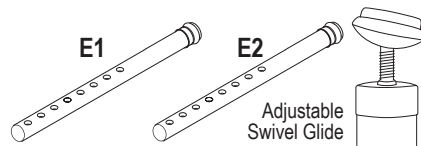
C Lower X-Frame (1)



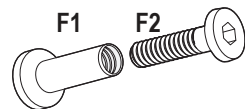
D Cross Supports (2)



E Lower Legs (3/1)

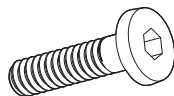


F Double Hex Post & Screws (5/5)



Use both 4mm Hex Tools

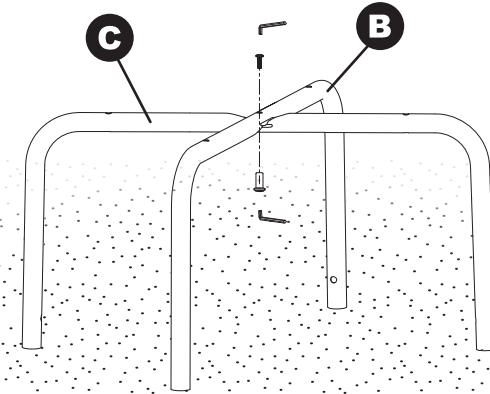
G Hex Screws (4)



Use the 5mm Hex Tool

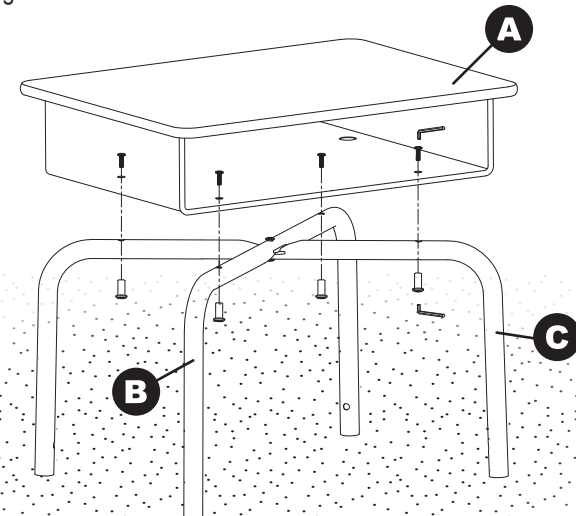
1 Connect the X-Frames

Place the **Upper X-Frame (B)** on top of the **Lower X-Frame (C)** and connect at the center cross-over point with one **Double Hex Post & Screw (F1/F2)** and tighten using both of the 4mm Hex Tools.



2 Connect the Book Box

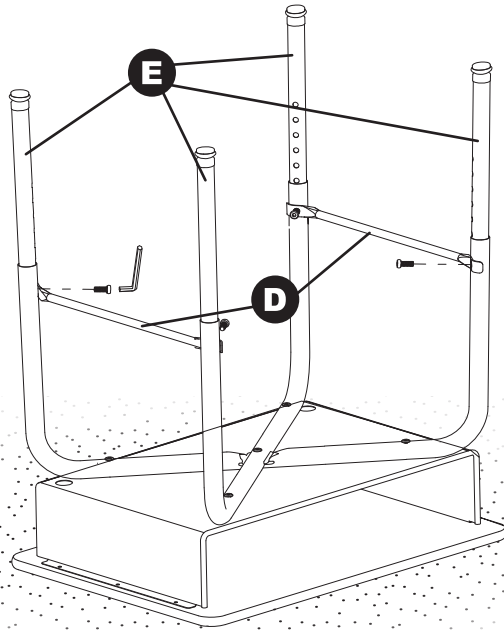
Install the **Book Box (A)** to the connected X-Frames (B/C) with four **Double Hex Post & Screws (F1/F2)** using both of the 4mm Hex Tools.



3 Install Lower Legs at the Desired Height

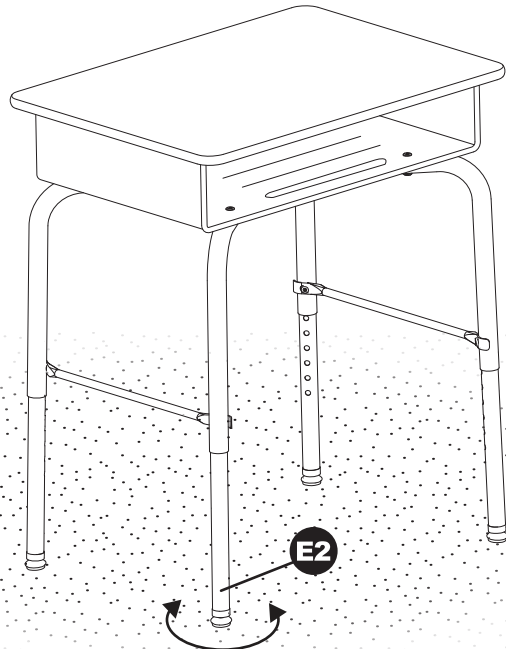
Install the **Cross Supports (D)** and **Lower Legs (E)** onto the **X-Frames (B/C)** with four **Hex Screws (G)** at the desired height, using the 5mm Hex Tool.

Tip: Double check that all legs are installed at the same height.



4 Level the Desk

Identify the **Adjustable Swivel Glide Lower Leg (E2)**, rotate to remove any wobble in the desk.



We appreciate your purchase of the RTA - Open Front Desk. ECR4KIDS has made every effort to supply a quality product that with proper use and care, will provide many years of trouble-free use.

If you experience any difficulties with this product, please email us at ecrcs@ecr4kids.com or call toll-free at (855) ECR-4KIDS (Monday - Friday, 7:00am - 4:00pm Pacific Standard Time)

Please do not return to place of purchase as ECR4KIDS will replace defective part(s) and/or product.

Warranty: Visit our website for product specific warranty information at: www.ecr4kids.com

Care and Cleaning

Clean unit with a damp cloth or sponge using warm water and mild soap. Wipe dry.

Do not place near heat, moisture or vaporizer which may cause panels to warp and peel.

Check for loose or worn parts periodically and tighten or replace as necessary.

Record the manufacture date here. Information is located on the **Batch ID sticker** and on the **shipping carton**. **Save this sheet in an accessible place.**

Model Number: ELR-24103

Factory Code: CM

Manufacture Date: _____

Batch ID Number: _____
(Located on Part A)